



SA STAMBOEK STUD BOOK

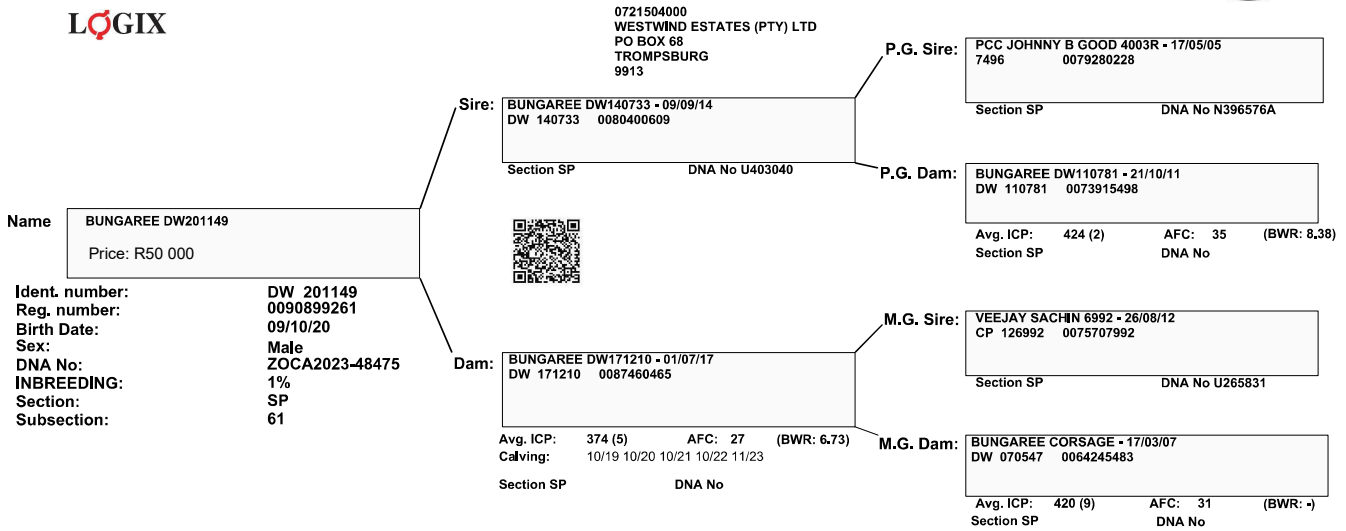
Three generation pedigree

compiled by the S.A. Stud Book and Animal Improvement Association

ANGUS S.A.



LOGIX



08/2024

Selection Value	CALVING EASE ★★★★		MILK ★★★★	CALF GRWTH ★★★	MAINTENANCE ★★★★	GROWTH TEST					FERTILITY ★★★★			COW VALUE ★★★	GROWTH VALUE	PRODUCTION VALUE
	110 ⁶³		105 ⁵⁶	73 ⁶⁶	124 ⁴⁴	ADG	Kleiber	FCR	Length	Height	SC	AFC	ICP			
EBV Index	Birth wght	Birth Mat.	Milk	Wean wght	Post wean	Mature wght	82	84	87	83	84	111	104	87 ⁵⁰	-	-
EBV	-2.28 ⁶⁹	0.36 ⁵⁵	7.2 ⁵⁶	12.9 ⁶⁶	34.9 ⁶⁶	10.1 ⁴⁴	124 ²¹	70.3 ²¹	52.8 ⁹	27.4 ²²	-1.3 ²³	13.8 ²³	-8.9 ⁴⁷	-3.5 ³⁰		
Measurements	Z3(5.8%)			240 ⁽¹⁰³⁾	226 ⁽¹⁰⁵⁾	335 ⁽¹¹⁵⁾	-	-	-							

09/09/24 11:57:34 AM SBTGB

Report version 1.0, generated by Logix

Page 1



SA STAMBOEK STUD BOOK

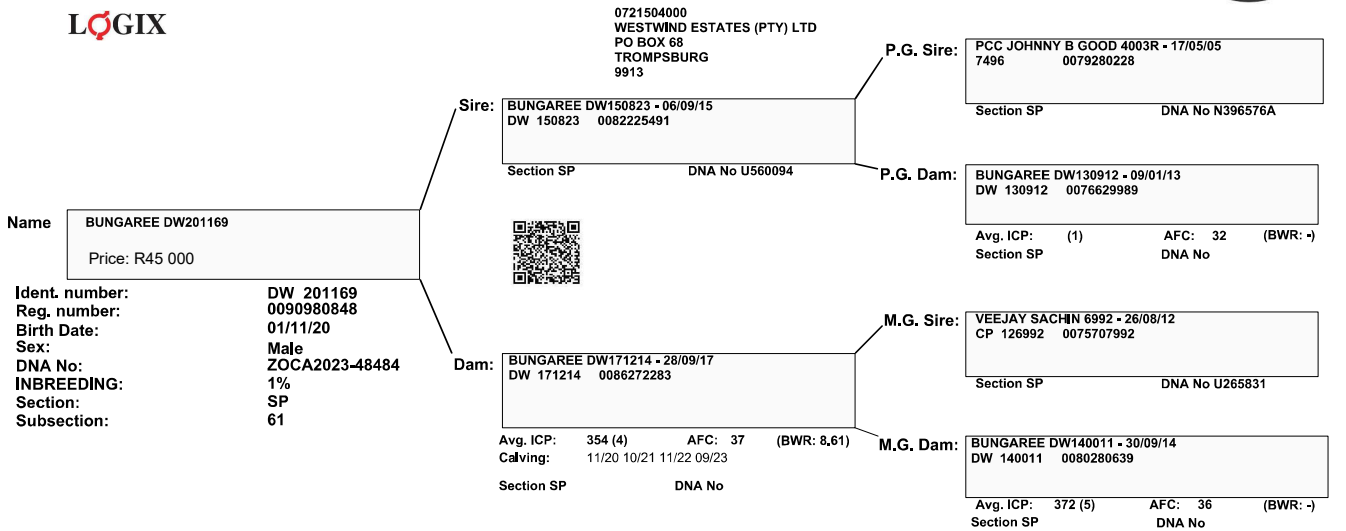
Three generation pedigree

compiled by the S.A. Stud Book and Animal Improvement Association

ANGUS S.A.



LOGIX



08/2024

Selection Value	CALVING EASE ★★★★		MILK ★★★★	CALF GRWTH ★★★	MAINTENANCE ★★★★	GROWTH TEST					FERTILITY ★★★★			COW VALUE ★★★	GROWTH VALUE	PRODUCTION VALUE	
	101 ⁶¹		104 ⁵³	99 ⁶⁸	117 ⁴⁰	ADG	Kleiber	FCR	Length	Height	SC	AFC	ICP				
EBV Index	Birth wght	Birth Mat.	Milk	Wean wght	Post wean	Mature wght	95	93	96	101	99	101	104	102	108 ⁴⁹	-	-
EBV	1.2 ⁷¹	0.54 ⁴⁹	6.9 ⁵³	26.2 ⁶⁸	50.5 ⁶⁹	17.6 ⁴⁰	183.2 ¹⁹	91.5 ¹⁹	72.9 ⁸	45.6 ²⁰	-1 ²¹	22.1 ²¹	-4.2 ⁴⁸	-3.1 ²⁸			
Measurements	36			282 ⁽¹⁰¹⁾	249 ⁽¹¹⁰⁾	320 ⁽¹⁰⁵⁾	-	-	-								

09/09/24 11:57:34 AM SBTGB

Report version 1.0, generated by Logix

Page 2



SA STAMBOEK STUD BOOK

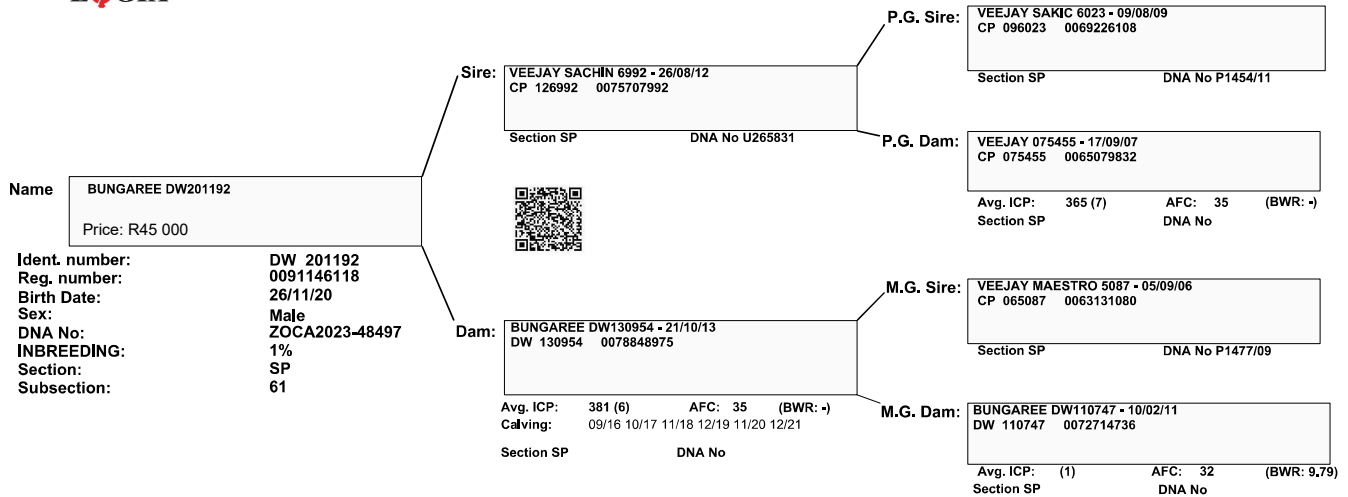
Three generation pedigree

compiled by the S.A. Stud Book and Animal Improvement Association

ANGUS S.A.



LOGIX



08/2024		CALVING EASE ★★★★			MILK ★★★★		CALF GRWTH ★★		MAINTENANCE ★★★★			GROWTH TEST					FERTILITY ★★			COW VALUE	GROWTH VALUE	PRODUCTION VALUE
Selection Value		111 65			122 58	89 67	110 47								81 50			★★	★★			
EBV Index		Birth wght	Birth Mat.	Milk	Wean wght	Post wean	Mature wght	ADG	Kleiber	FCR	Length	Height	SC	AFC	ICP							
EBV		-3 71	0.73 58	12 58	21.1 67	44.3 68	22.8 47	178.8 31	89.6 31	-64.9 14	44.7 33	-2 34	23.1 34	8.8 54	2.6 38							
Measurements		38(8.4%)				305 (108)	226 (97)	281 (90)	-	-	-											



SA STAMBOEK STUD BOOK

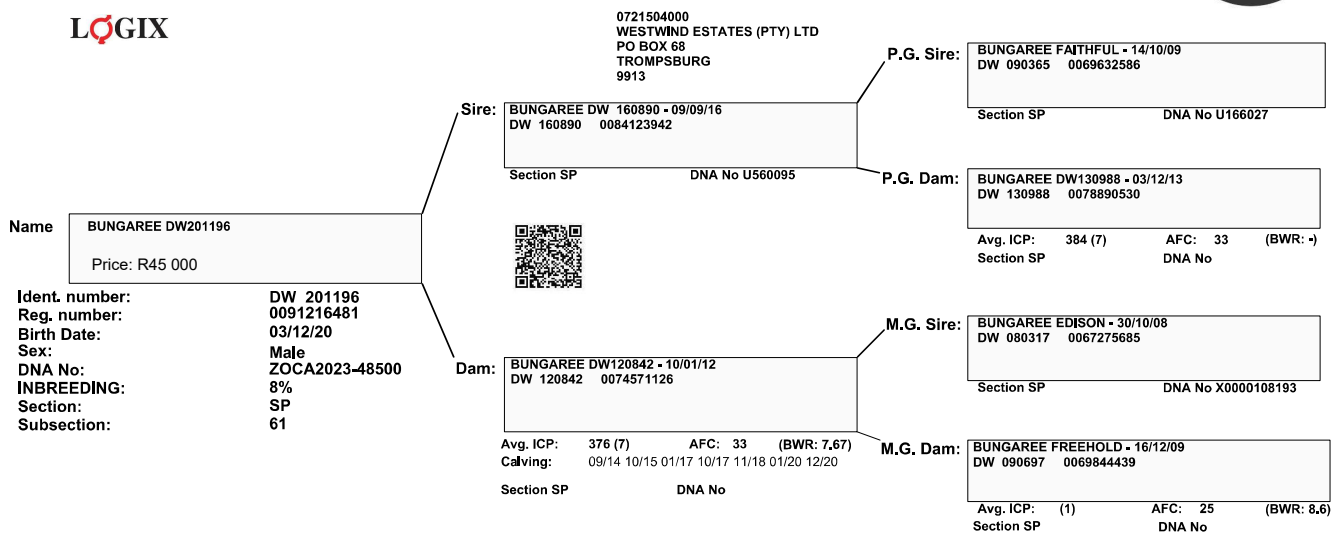
Three generation pedigree

compiled by the S.A. Stud Book and Animal Improvement Association

ANGUS S.A.



LOGIX



08/2024		CALVING EASE ★★★★			MILK ★★★★		CALF GRWTH ★★		MAINTENANCE ★★★★			GROWTH TEST					FERTILITY ★★			COW VALUE	GROWTH VALUE	PRODUCTION VALUE
Selection Value		116 63			128 52	78 58	111 39								109 42			★★	★★			
EBV Index		Birth wght	Birth Mat.	Milk	Wean wght	Post wean	Mature wght	ADG	Kleiber	FCR	Length	Height	SC	AFC	ICP							
EBV		-1.09 71	0.61 53	13.8 52	15.5 58	34 55	21.5 39	116.2 25	58.2 25	-49 8	28.8 27	-1.1 28	19.7 27	18.3 48	0.4 27							
Measurements		33(5.6%)				169 (85)	227 (112)	297 (102)	-	-	-											



STAMBOEK
STUD BOOK

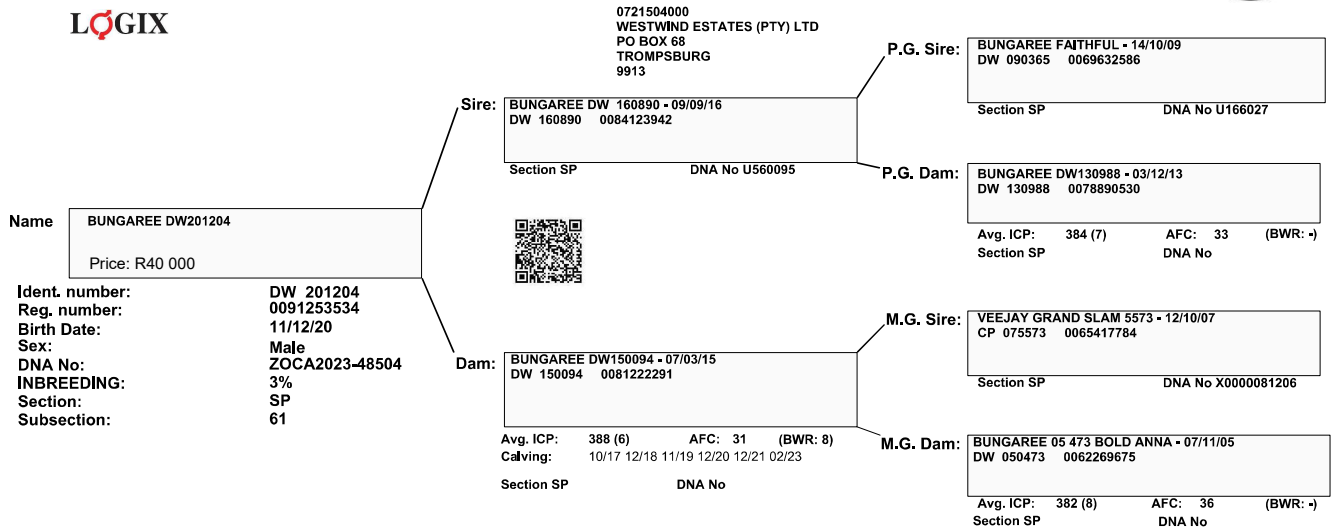
Three generation pedigree

compiled by the S.A. Stud Book and Animal Improvement Association

ANGUS S.A.



LOGIX



08/2024

Selection Value	CALVING EASE ★★★★		MILK ★★★★	CALF GRWTH ★★	MAINTENANCE ★★★★		GROWTH TEST					FERTILITY ★★★			COW VALUE ★★★	GROWTH VALUE ★★	PRODUCTION VALUE -
	122 ⁶³		112 ⁵³	75 ⁶⁶	122 ⁴⁰							101 ⁴²					
EBV Index	Birth wght	Birth Mat.	Milk	Wean wght	Post wean	Mature wght	ADG	Kleiber	FCR	Length	Height	SC	AFC	ICP			
EBV	-0.86 ⁷¹	0.37 ⁵³	9.3 ⁵³	13.9 ⁶⁶	29.2 ⁶⁴	11.9 ⁴⁰	96.3 ³⁰	50.8 ³⁰	42.2 ⁹	23.9 ³²	-1.5 ³³	14.6 ³³	13.2 ⁴⁷	2.5 ²⁸			
Measurements	34(8.5%)			174 ⁽⁹⁷⁾	226 ⁽¹¹²⁾	290 ⁽⁹⁹⁾	-	-	-								

09/09/24 11:57:36 AM SBTGB

Report version 1.0, generated by Logix

Page 5



STAMBOEK
STUD BOOK

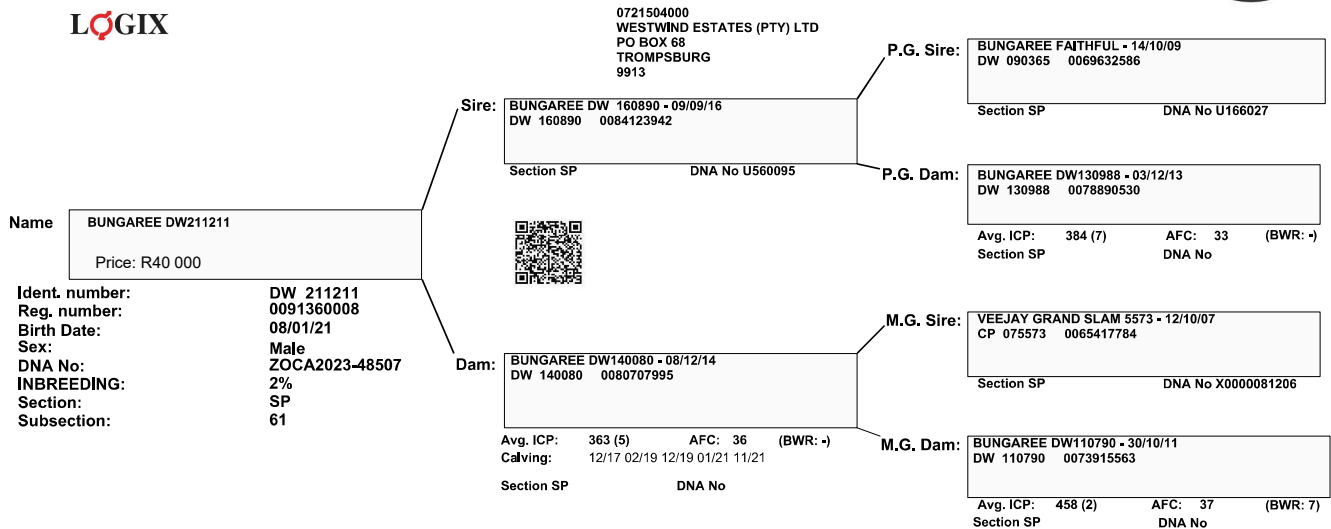
Three generation pedigree

compiled by the S.A. Stud Book and Animal Improvement Association

ANGUS S.A.



LOGIX



08/2024

Selection Value	CALVING EASE ★★★★		MILK ★★★★	CALF GRWTH ★★	MAINTENANCE ★★★★		GROWTH TEST					FERTILITY ★★★			COW VALUE ★★★	GROWTH VALUE ★★	PRODUCTION VALUE -
	120 ⁶³		114 ⁵³	81 ⁶⁷	122 ⁴⁰							90 ⁴³					
EBV Index	Birth wght	Birth Mat.	Milk	Wean wght	Post wean	Mature wght	ADG	Kleiber	FCR	Length	Height	SC	AFC	ICP			
EBV	124	99	114	81	85	78	85	84	87	90	89	91	103	77			
Measurements	-0.73 ⁷¹	0.43 ⁵²	9.9 ⁵³	16.9 ⁶⁷	36.3 ⁶⁶	11.8 ⁴⁰	137.2 ³⁰	69.7 ³⁰	54.3 ⁸	34.6 ³²	-8 ³³	17.3 ³³	-2.8 ⁴⁹	1.9 ²⁸			
	37(7.6%)			177 ⁽⁹⁷⁾	200 ⁽⁹⁵⁾	286 ⁽⁹⁶⁾	-	-	-								

09/09/24 11:57:36 AM SBTGB

Report version 1.0, generated by Logix

Page 6



SA STAMBOEK STUD BOOK

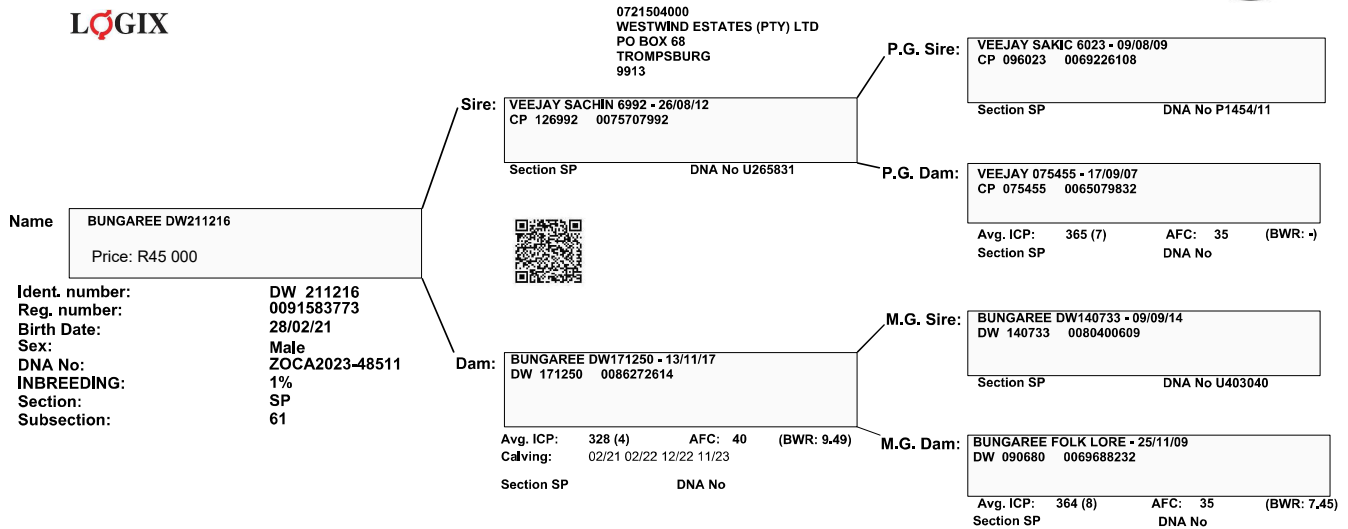
Three generation pedigree

compiled by the S.A. Stud Book and Animal Improvement Association

ANGUS S.A.



LOGIX



08/2024

Selection Value	CALVING EASE ★★★★		MILK ★★★★	CALF GRWTH ★★	MAINTENANCE ★★★★		GROWTH TEST					FERTILITY ★★★			COW VALUE	GROWTH VALUE	PRODUCTION VALUE
	111 ⁶⁴		115 ⁵⁵	72 ⁵⁹	117 ⁴⁵		ADG	Kleiber	FCR	Length	Height	SC	AFC	ICP			
EBV Index	Birth wght	Birth Mat.	Milk	Wean wght	Post wean	Mature wght	83	85	86	87	86	89	86	93	81 ⁴⁹	-	-
EBV	-2.32 ⁷⁰	0.27 ⁵⁶	10 ⁵⁵	12.6 ⁵⁹	34.6 ⁵⁸	15.9 ⁴⁵	131 ²⁴	72 ²⁴	50.6 ¹²	30.9 ²⁶	-1.1 ²⁷	16.2 ²⁷	10.2 ⁵³	-1.2 ³³			
Measurements	26(4.5%)			182 ⁽¹⁰⁰⁾	221 ⁽¹¹²⁾	279 ⁽¹²⁰⁾	-	-	-								

09/09/24 11:57:37 AM SBTGB

Report version 1.0, generated by Logix

Page 7



SA STAMBOEK STUD BOOK

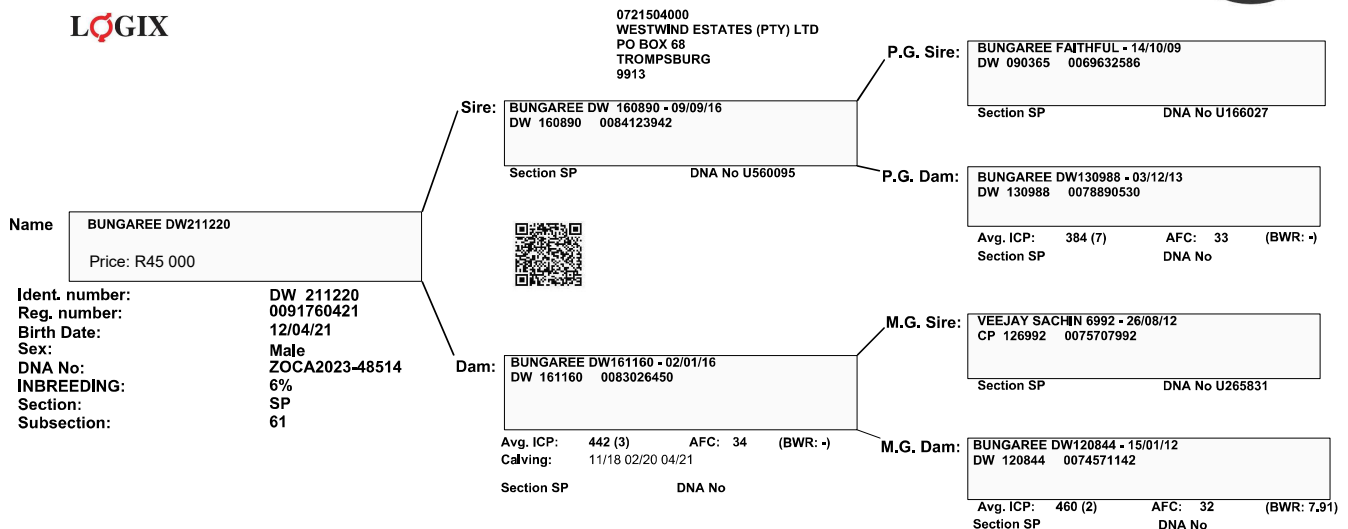
Three generation pedigree

compiled by the S.A. Stud Book and Animal Improvement Association

ANGUS S.A.



LOGIX



08/2024

Selection Value	CALVING EASE ★★★★		MILK ★★★★	CALF GRWTH ★	MAINTENANCE ★★★★		GROWTH TEST					FERTILITY ★★★			COW VALUE	GROWTH VALUE	PRODUCTION VALUE
	107 ⁶¹		126 ⁵¹	69 ⁶⁴	116 ³⁹		ADG	Kleiber	FCR	Length	Height	SC	AFC	ICP			
EBV Index	Birth wght	Birth Mat.	Milk	Wean wght	Post wean	Mature wght	78	82	79	80	83	82	80	91	112 ⁶⁷	83 ⁴⁸	-
EBV	-2.79 ⁷⁰	0.25 ⁵⁰	13.2 ⁵¹	11 ⁶⁴	29.6 ⁶⁵	16.8 ³⁹	110.1 ²⁵	57.8 ²⁵	43.9 ⁸	26.5 ²⁷	-1.5 ²⁸	17.4 ²⁷	-9.7 ⁴⁹	3.9 ²⁸			
Measurements	31(6.1%)			156 ⁽⁹⁵⁾	194 ⁽⁹⁴⁾	227 ⁽⁹³⁾	-	-	-								

09/09/24 11:57:37 AM SBTGB

Report version 1.0, generated by Logix

Page 8



SA STAMBOEK STUD BOOK

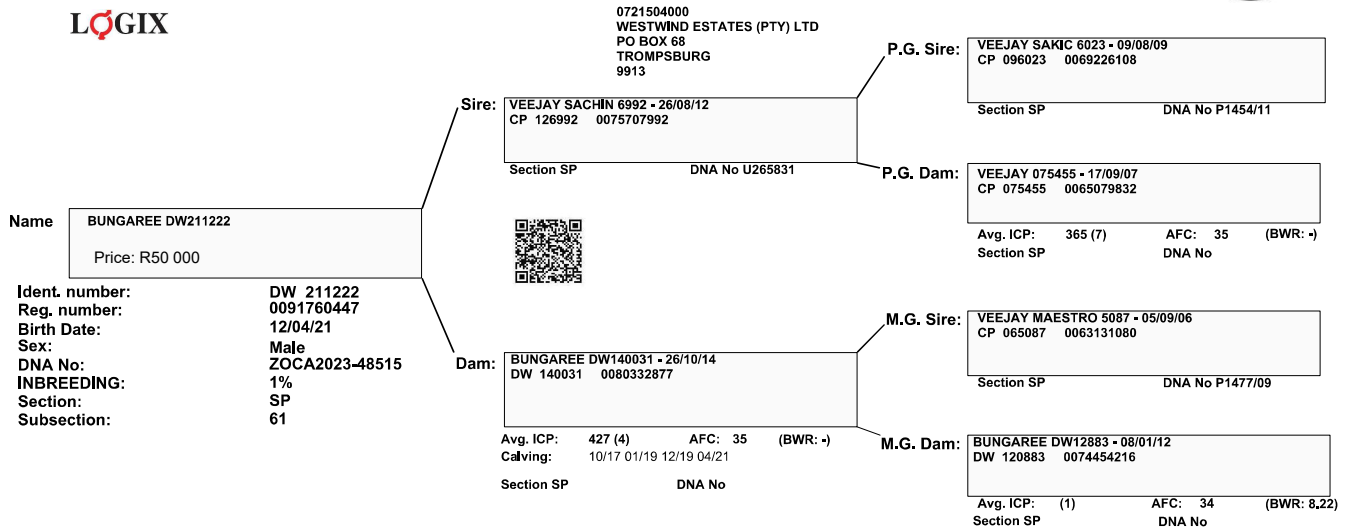
Three generation pedigree

compiled by the S.A. Stud Book and Animal Improvement Association

ANGUS S.A.



LOGIX



08/2024

Selection Value	CALVING EASE ★★★★		MILK ★★★	CALF GRWTH ★★★	MAINTENANCE ★★★★		GROWTH TEST					FERTILITY ★★★			COW VALUE ★★★	GROWTH VALUE ★★★	PRODUCTION VALUE -
	111 ⁶⁴		104 ⁵⁵	89 ⁵⁹	130 ⁴⁷							85 ⁴⁹					
EBV Index	Birth wght	Birth Mat.	Milk	Wean wght	Post wean	Mature wght	ADG	Kleiber	FCR	Length	Height	SC	AFC	ICP			
EBV	0.6 ⁷⁰	0.29 ⁵⁶	7 ⁵⁵	21.4 ⁵⁹	41.9 ⁵⁶	5.4 ⁴⁷	126.1 ³⁰	70.1 ³⁰	-48 ¹³	29.6 ³³	-1.2 ³⁴	15.5 ³⁴	4 ⁵⁴	2 ³⁵	97 ⁵⁰	80 ²³	92 ⁴⁵
Measurements	45(8.7%)			- (-)	214 (97)	241 (83)											

09/09/24 11:57:38 AM SBTGB

Report version 1.0, generated by Logix

Page 9



SA STAMBOEK STUD BOOK

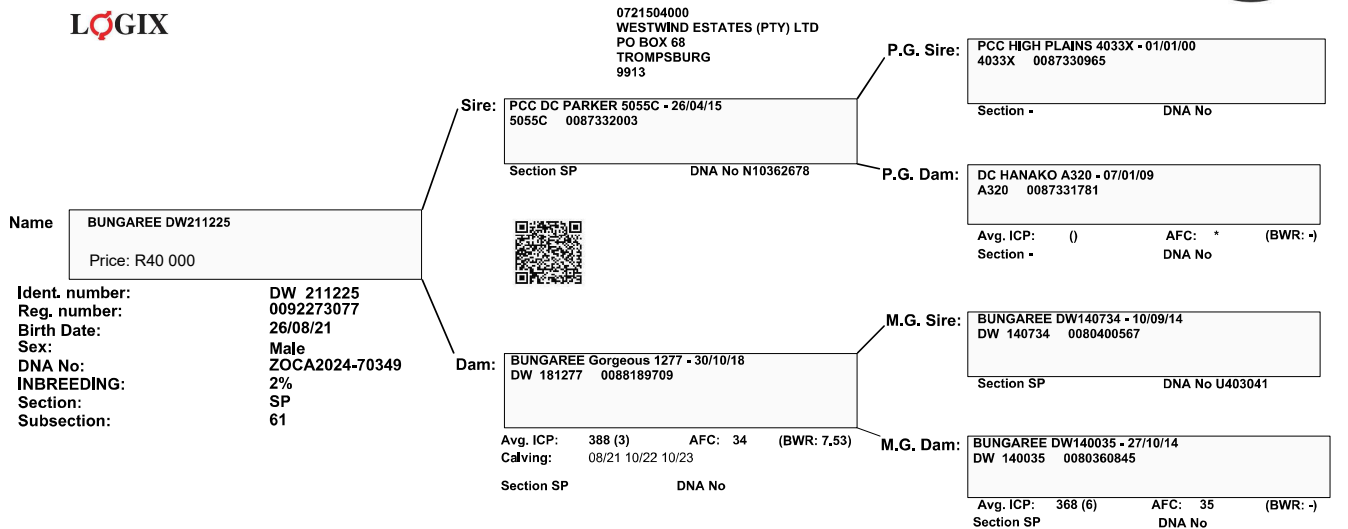
Three generation pedigree

compiled by the S.A. Stud Book and Animal Improvement Association

ANGUS S.A.



LOGIX



08/2024

Selection Value	CALVING EASE ★★★★		MILK ★★★	CALF GRWTH ★★★	MAINTENANCE ★★★★		GROWTH TEST					FERTILITY ★★★			COW VALUE ★★★★	GROWTH VALUE -	PRODUCTION VALUE -
	128 ⁵³		98 ³⁹	94 ⁶²	118 ²⁹							117 ³²					
EBV Index	Birth wght	Birth Mat.	Milk	Wean wght	Post wean	Mature wght	ADG	Kleiber	FCR	Length	Height	SC	AFC	ICP			
EBV	117	125	98	94	94	82	99	99	104	99	101	101	112	113	114 ⁴¹	-	-
Measurements	-0.6 ⁶⁶	-0.65 ³⁵	5.3 ³⁹	23.5 ⁶²	44.8 ⁶⁴	16.1 ²⁹	201.2 ¹³	105.6 ¹³	-88.7 ⁵	43.1 ¹⁴	0.1 ¹⁴	22.1 ¹⁴	-10.3 ³⁴	-5.1 ¹⁹			
	28(7.9%)			186 (99)	178 (89)	276 (88)											

09/09/24 11:57:38 AM SBTGB

Report version 1.0, generated by Logix

Page 10



SA STAMBOEK STUD BOOK

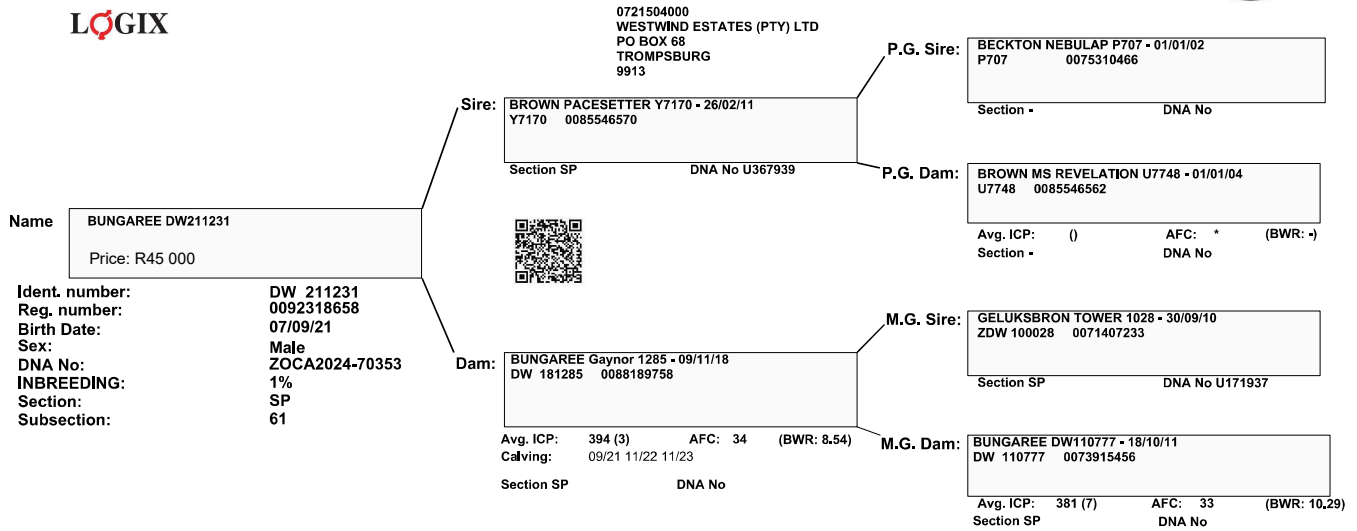
Three generation pedigree

compiled by the S.A. Stud Book and Animal Improvement Association

ANGUS S.A.



LOGIX



08/2024		CALVING EASE ★★★★			MILK ★★★		CALF GRWTH ★★★		MAINTENANCE ★★★			GROWTH TEST					FERTILITY ★★★			COW VALUE	GROWTH VALUE	PRODUCTION VALUE
Selection Value		101 60			80 50		105 66		103 38			102 42										
EBV Index		Birth wght	Birth Mat.	Milk	Wean wght	Post wean	Mature wght	ADG	Kleiber	FCR	Length	Height	SC	AFC	ICP							
EBV		93	108	80	105	102	98	99	97	95	102	90	112	109	93	100 48	101 26	99 44				
Measurements		2.17 69	0.03 49	0 50	29.7 66	53.1 66	35.3 38	201.3 38	102.1 38	70.2 10	46.3 41	-8 43	27.7 42	-7.9 46	-1.3 27							
		38(9.9%)			201 (84)	209 (101)	331 (104)	-	-	-												



SA STAMBOEK STUD BOOK

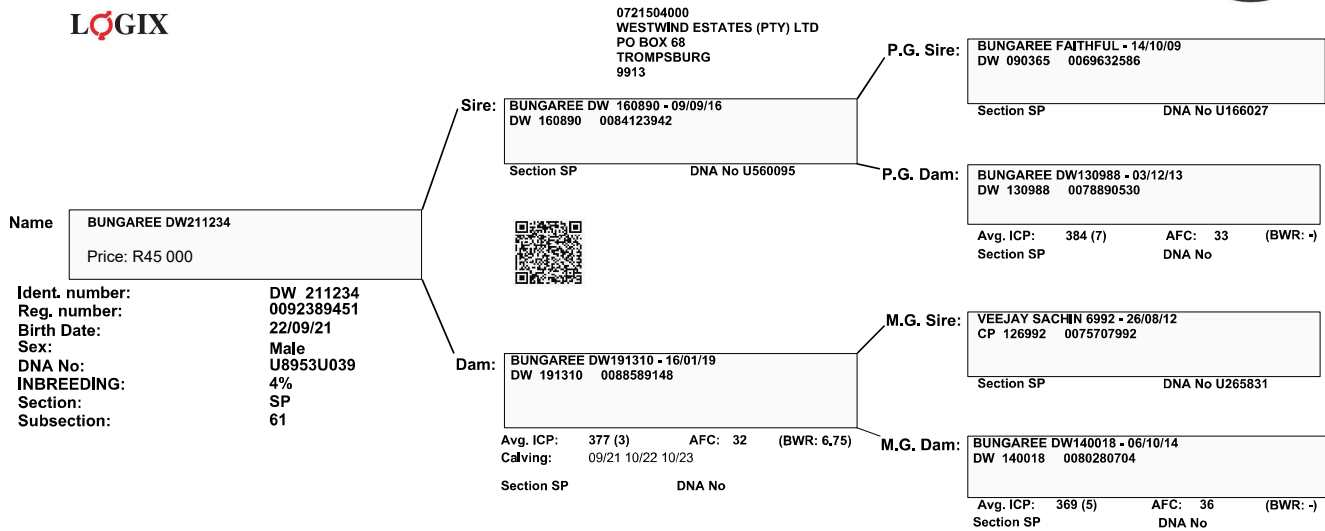
Three generation pedigree

compiled by the S.A. Stud Book and Animal Improvement Association

ANGUS S.A.



LOGIX



08/2024		CALVING EASE ★★★★			MILK ★★★★		CALF GRWTH ★★★		MAINTENANCE ★★★			GROWTH TEST					FERTILITY ★★★			COW VALUE	GROWTH VALUE	PRODUCTION VALUE
Selection Value		121 62			118 53		82 67		116 43			101 43										
EBV Index		Birth wght	Birth Mat.	Milk	Wean wght	Post wean	Mature wght	ADG	Kleiber	FCR	Length	Height	SC	AFC	ICP							
EBV		128	103	118	82	87	82	83	83	86	86	84	91	111	76	100 50	-	-				
Measurements		-1.11 70	0.27 51	10.9 63	17.4 67	38.2 68	16.9 43	127.2 26	67.1 26	50.3 8	30.1 28	-1.2 28	17.2 28	-9.5 49	2.1 28							
		29(7.7%)			197 (108)	189 (94)	303 (98)	-	-	-												



SA STAMBOEK STUD BOOK

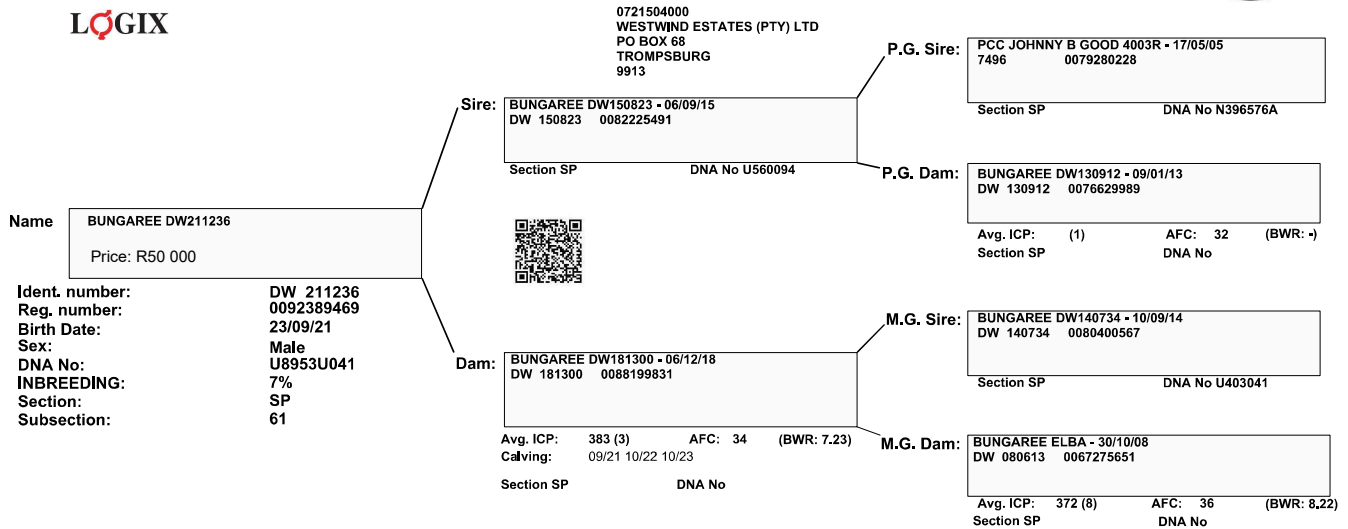
Three generation pedigree

compiled by the S.A. Stud Book and Animal Improvement Association

ANGUS S.A.



LOGIX



08/2024

Selection Value	CALVING EASE ★★★★		MILK ★★★		CALF GRWTH ★★		MAINTENANCE ★★★★			GROWTH TEST					FERTILITY ★★★★			COW VALUE ★★★	GROWTH VALUE	PRODUCTION VALUE
	110 ⁶⁰		93 ⁵²		76 ⁶⁷		129 ³⁹													
EBV Index	Birth wght	Birth Mat.	Milk	Wean wght	Post wean	Mature wght	ADG	Kleiber	FCR	Length	Height	SC	AFC	ICP						
EBV	0.36 ⁷⁰	0.47 ⁴⁸	93 ⁵²	76 ⁶⁷	27.4 ⁶⁶	6.2 ³⁹	138.3 ¹⁸	76.8 ¹⁸	58.6 ⁸	32.5 ¹⁹	-6 ²⁰	14.3 ¹⁹	12.3 ⁴⁷	-5.8 ²⁴						
Measurements	Z9(7.6%)			193 ⁽⁸⁹⁾	197 ⁽⁹⁹⁾	296 ⁽⁹⁵⁾														

09/09/24 11:57:40 AM SBTGB

Report version 1.0, generated by Logix

Page 13



SA STAMBOEK STUD BOOK

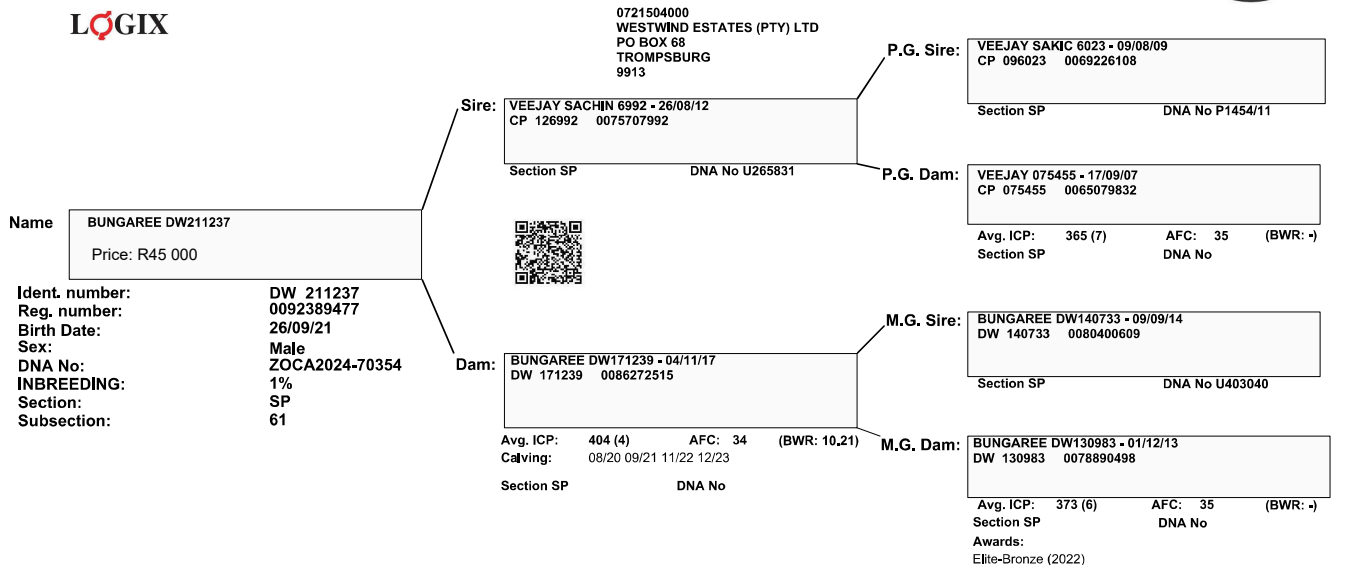
Three generation pedigree

compiled by the S.A. Stud Book and Animal Improvement Association

ANGUS S.A.



LOGIX



08/2024

Selection Value	CALVING EASE ★★★★		MILK ★★★		CALF GRWTH ★★		MAINTENANCE ★★★★			GROWTH TEST					FERTILITY ★★★★			COW VALUE ★★★★	GROWTH VALUE	PRODUCTION VALUE
	118 ⁶⁵		101 ⁵⁶		91 ⁶⁷		118 ⁴⁶													
EBV Index	Birth wght	Birth Mat.	Milk	Wean wght	Post wean	Mature wght	ADG	Kleiber	FCR	Length	Height	SC	AFC	ICP						
EBV	0.14 ⁷¹	0.11 ⁵⁷	101 ⁵⁶	91 ⁶⁷	45.8 ⁶⁹	16.7 ⁴⁶	143.2 ²⁵	76 ²⁵	55.8 ¹¹	33.5 ²⁷	-1.1 ²⁸	19 ²⁸	0.4 ⁵³	-9 ³⁴						
Measurements	33(11.5%)			179 ⁽⁹²⁾	190 ⁽⁹³⁾	298 ⁽⁹⁴⁾														

09/09/24 11:57:40 AM SBTGB

Report version 1.0, generated by Logix

Page 14



SA STAMBOEK STUD BOOK

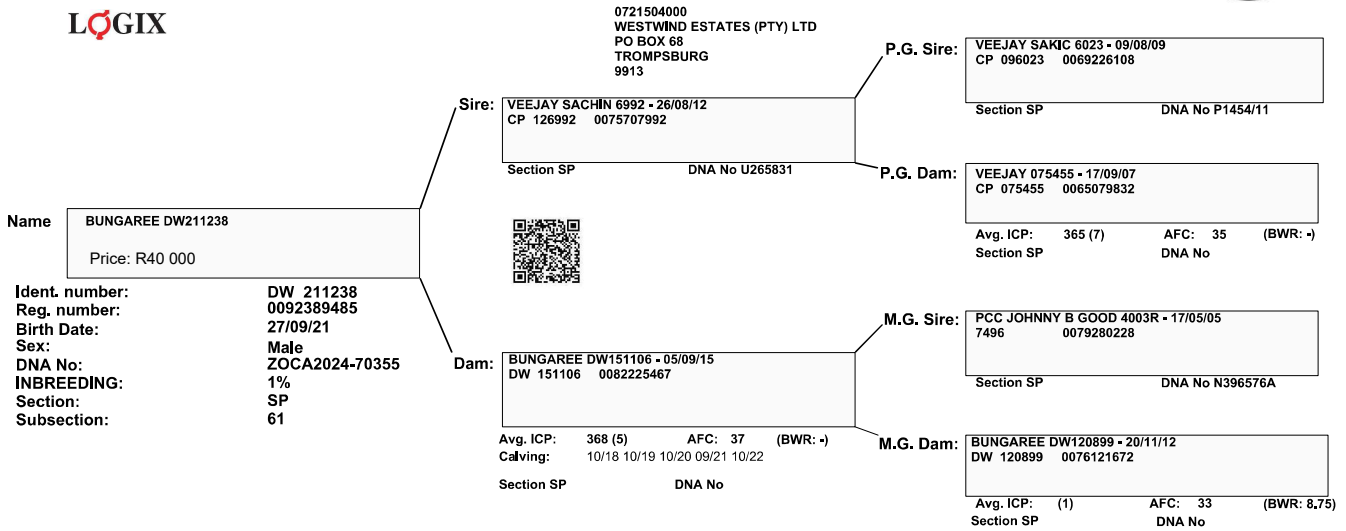
Three generation pedigree

compiled by the S.A. Stud Book and Animal Improvement Association

ANGUS S.A.



LOGIX



08/2024

Selection Value	CALVING EASE ★★★★			MILK ★★★★	CALF GRWTH ★★★	MAINTENANCE ★★★★		GROWTH TEST					FERTILITY ★★★★			COW VALUE	GROWTH VALUE	PRODUCTION VALUE
	123 ⁶⁴			112 ⁵⁸	82 ⁶⁸	116 ⁴⁶							105 ⁴⁸					
EBV Index	Birth wght	Birth Mat.	Milk	Wean wght	Post wean	Mature wght	ADG	Kleiber	FCR	Length	Height	SC	AFC	ICP	100 ⁵²	-	-	
EBV	-0.66 ⁷¹	0.2 ⁵⁶	9.3 ⁵⁸	17.6 ⁶⁸	38.7 ⁷⁰	17.6 ⁴⁶	147.1 ²³	77.7 ²³	-59 ¹²	34.7 ²⁶	-9 ²⁷	19.1 ²⁶	3.7 ⁵³	-3.4 ³⁴				
Measurements	33(10%)			192 ⁽¹⁰⁰⁾	208 ⁽¹⁰³⁾	309 ⁽⁹⁸⁾	-	-	-									

09/09/24 11:57:41 AM SBTGB

Report version 1.0, generated by Logix

Page 15



SA STAMBOEK STUD BOOK

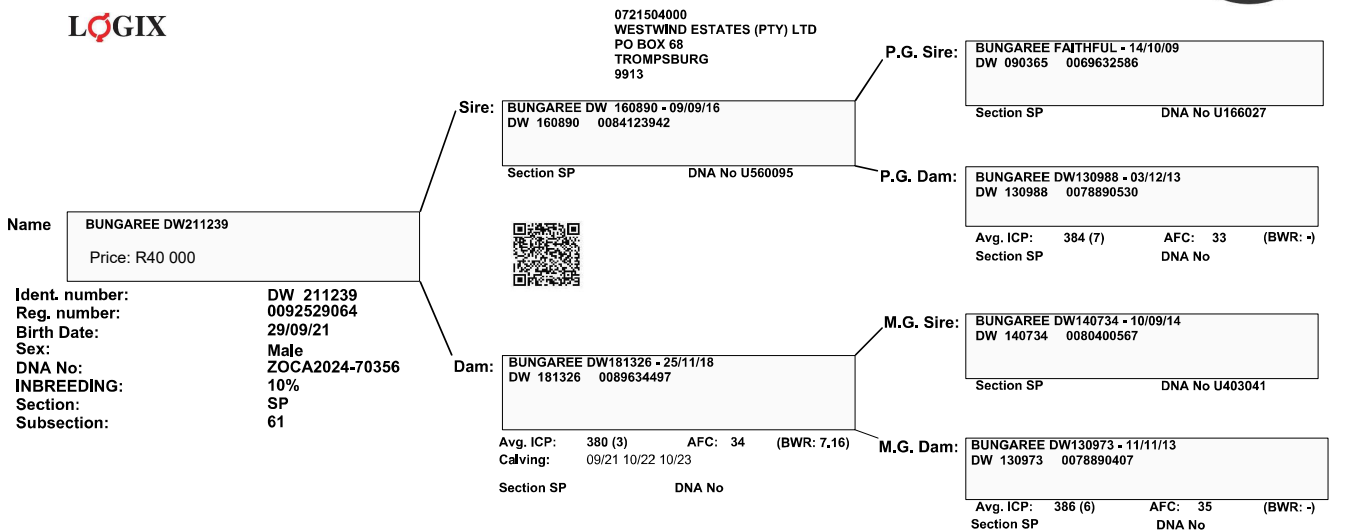
Three generation pedigree

compiled by the S.A. Stud Book and Animal Improvement Association

ANGUS S.A.



LOGIX



08/2024

Selection Value	CALVING EASE ★★★★			MILK ★★★★	CALF GRWTH ★★★	MAINTENANCE ★★★★		GROWTH TEST					FERTILITY ★★★★			COW VALUE	GROWTH VALUE	PRODUCTION VALUE
	113 ⁶¹			119 ⁵³	82 ⁶⁶	119 ⁴²							114 ⁴⁰					
EBV Index	Birth wght	Birth Mat.	Milk	Wean wght	Post wean	Mature wght	ADG	Kleiber	FCR	Length	Height	SC	AFC	ICP	103 ⁴⁹	-	-	
EBV	132	0.57 ⁵⁰	11.3 ⁵³	17.3 ⁶⁶	39.4 ⁶⁷	14 ⁴²	143.9 ²⁵	71.2 ²⁵	-56.5 ⁷	36.4 ²⁷	-8 ²⁷	20.6 ²⁷	-13.3 ⁴⁵	-9 ²⁶				
Measurements	27(8.3%)			198 ⁽¹⁰⁸⁾	194 ⁽⁹⁹⁾	304 ⁽⁹⁹⁾	-	-	-									

09/09/24 11:57:41 AM SBTGB

Report version 1.0, generated by Logix

Page 16



SA STAMBOEK STUD BOOK

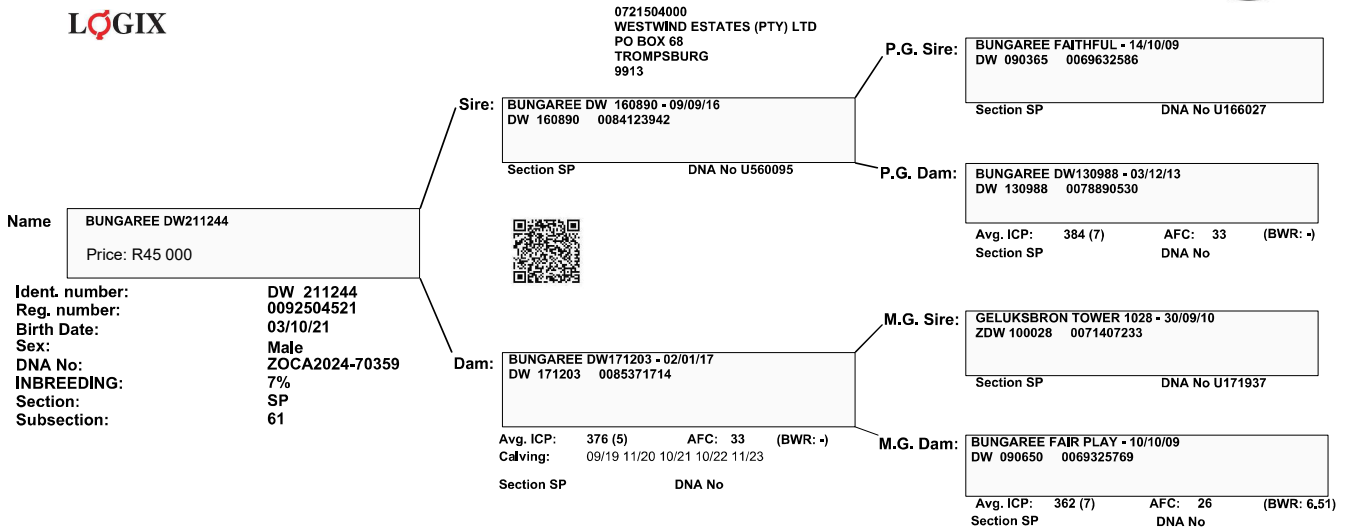
Three generation pedigree

compiled by the S.A. Stud Book and Animal Improvement Association

ANGUS S.A.



LOGIX



08/2024

Selection Value	CALVING EASE ★★★★		MILK ★★★★	CALF GRWTH ★★	MAINTENANCE ★★★★		GROWTH TEST					FERTILITY ★★★★			COW VALUE ★★★★	GROWTH VALUE ★★	PRODUCTION VALUE -
	116 ⁶³		127 ⁵⁵	77 ⁶⁷	112 ⁴⁴							113 ⁴⁴					
EBV Index	Birth wght	Birth Mat.	Milk	Wean wght	Post wean	Mature wght	ADG	Kleiber	FCR	Length	Height	SC	AFC	ICP	100 ⁵¹	89 ²⁰	97 ⁴⁵
EBV	-1.78 ⁷¹	0.26 ⁵³	13.5 ⁶⁵	15.2 ⁶⁷	33.1 ⁶⁸	20.2 ⁴⁴	153.9 ²⁹	73.6 ²⁹	59.5 ⁹	39.7 ³¹	-2 ³²	27.2 ³²	21.2 ⁵⁰	1.2 ³⁰			
Measurements	Z9(7.6%)			221 ⁽¹¹¹⁾	219 ⁽¹¹²⁾	323 ⁽¹⁰⁵⁾	-	-	-								

09/09/24 11:57:42 AM SBTGB

Report version 1.0, generated by Logix

Page 17



SA STAMBOEK STUD BOOK

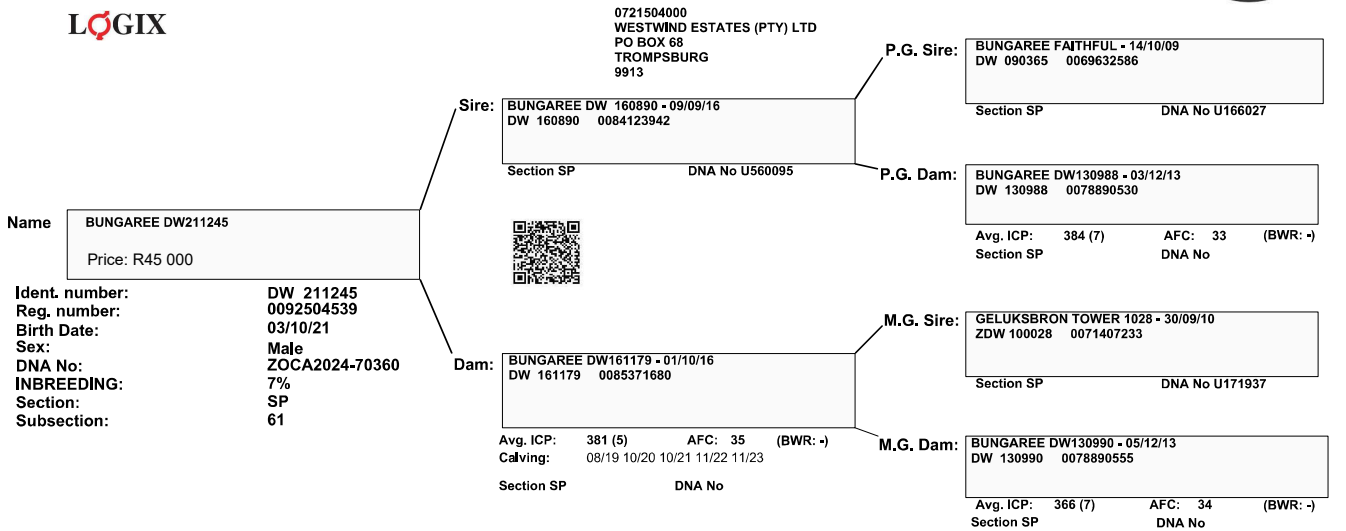
Three generation pedigree

compiled by the S.A. Stud Book and Animal Improvement Association

ANGUS S.A.



LOGIX



08/2024

Selection Value	CALVING EASE ★★★★		MILK ★★★★	CALF GRWTH ★★	MAINTENANCE ★★★★		GROWTH TEST					FERTILITY ★★★★			COW VALUE ★★★★	GROWTH VALUE ★★	PRODUCTION VALUE -
	118 ⁶³		121 ⁵⁵	79 ⁶⁸	115 ⁴³							111 ⁴³					
EBV Index	Birth wght	Birth Mat.	Milk	Wean wght	Post wean	Mature wght	ADG	Kleiber	FCR	Length	Height	SC	AFC	ICP	101 ⁵¹	89 ²⁰	97 ⁴⁵
EBV	-0.91 ⁷¹	0.56 ⁵³	11.8 ⁶⁵	15.9 ⁶⁸	33.3 ⁶⁹	18 ⁴³	148.4 ²⁹	72.2 ²⁹	56.2 ⁸	39.4 ³¹	-2 ³²	24.4 ³²	16.2 ⁴⁹	0.5 ³⁰			
Measurements	33(8.5%)			206 ⁽¹⁰⁰⁾	217 ⁽¹⁰⁹⁾	312 ⁽⁹⁹⁾	-	-	-								

09/09/24 11:57:43 AM SBTGB

Report version 1.0, generated by Logix

Page 18



SA STAMBOEK STUD BOOK

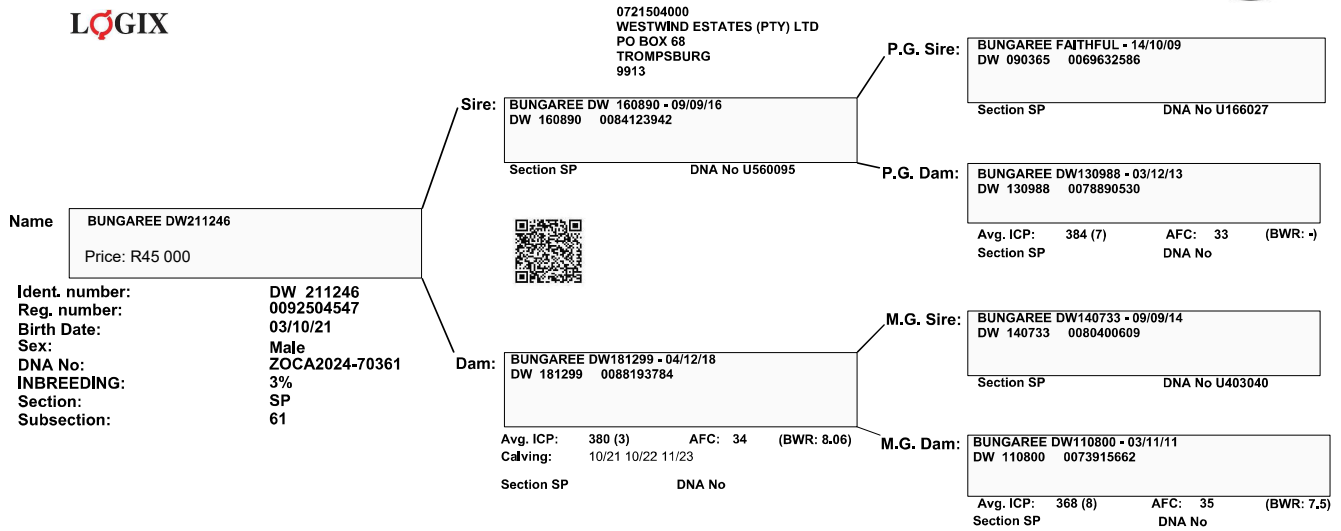
Three generation pedigree

compiled by the S.A. Stud Book and Animal Improvement Association

ANGUS S.A.



LOGIX



08/2024

Selection Value	CALVING EASE ★★★★		MILK ★★★★	CALF GRWTH ★★★	MAINTENANCE ★★★★		GROWTH TEST					FERTILITY ★★★★			COW VALUE	GROWTH VALUE	PRODUCTION VALUE
	108 ⁶²		115 ⁵³	80 ⁶⁷	122 ⁴²							107 ⁴²					
EBV Index	Birth wght	Birth Mat.	Milk	Wean wght	Post wean	Mature wght	ADG	Kleiber	FCR	Length	Height	SC	AFC	ICP			
EBV	-48 ⁷⁰	1 ⁵¹	10 ⁵³	16.7 ⁶⁷	37.6 ⁶⁸	11.7 ⁴²	113.1 ²⁴	60.8 ²⁴	47.5 ⁷	26.9 ²⁶	-1.2 ²⁷	17.5 ²⁶	10.7 ⁴⁹	0.5 ²⁸			
Measurements	31(9%)			181 ⁽⁸⁴⁾	178 ⁽⁸⁷⁾	294 ⁽⁸⁴⁾	-	-	-								

09/09/24 11:57:43 AM SBTGB

Report version 1.0, generated by Logix

Page 19



SA STAMBOEK STUD BOOK

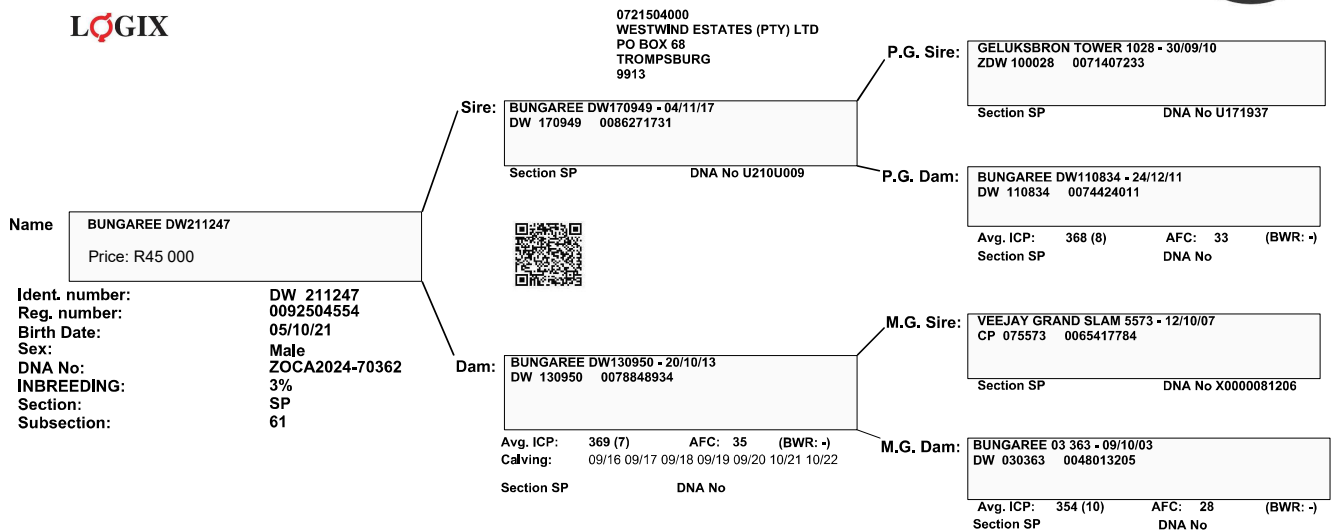
Three generation pedigree

compiled by the S.A. Stud Book and Animal Improvement Association

ANGUS S.A.



LOGIX



08/2024

Selection Value	CALVING EASE ★★★★		MILK ★★★★	CALF GRWTH ★★★	MAINTENANCE ★★★★		GROWTH TEST					FERTILITY ★★★★			COW VALUE	GROWTH VALUE	PRODUCTION VALUE
	129 ⁶²		103 ⁵⁴	82 ⁶⁷	102 ³⁹							106 ⁴²					
EBV Index	Birth wght	Birth Mat.	Milk	Wean wght	Post wean	Mature wght	ADG	Kleiber	FCR	Length	Height	SC	AFC	ICP			
EBV	124	111	103	82	86	97	88	85	91	97	102	105	99	105	95 ⁴⁹	86 ²⁰	92 ⁴³
Measurements	-74 ⁷¹	-1 ⁵¹	6.6 ⁵⁴	17.7 ⁶⁷	37.8 ⁶⁸	34.6 ³⁹	153.1 ²⁷	72.8 ²⁷	61.8 ¹⁰	41.1 ³⁰	0.2 ³¹	24.3 ³⁰	0 ⁴⁵	-3.6 ²⁸			
	31(7.9%)			210 ⁽¹¹³⁾	213 ⁽¹⁰⁸⁾	336 ⁽¹⁰⁹⁾	-	-	-								

09/09/24 11:57:43 AM SBTGB

Report version 1.0, generated by Logix

Page 20



SA STAMBOEK STUD BOOK

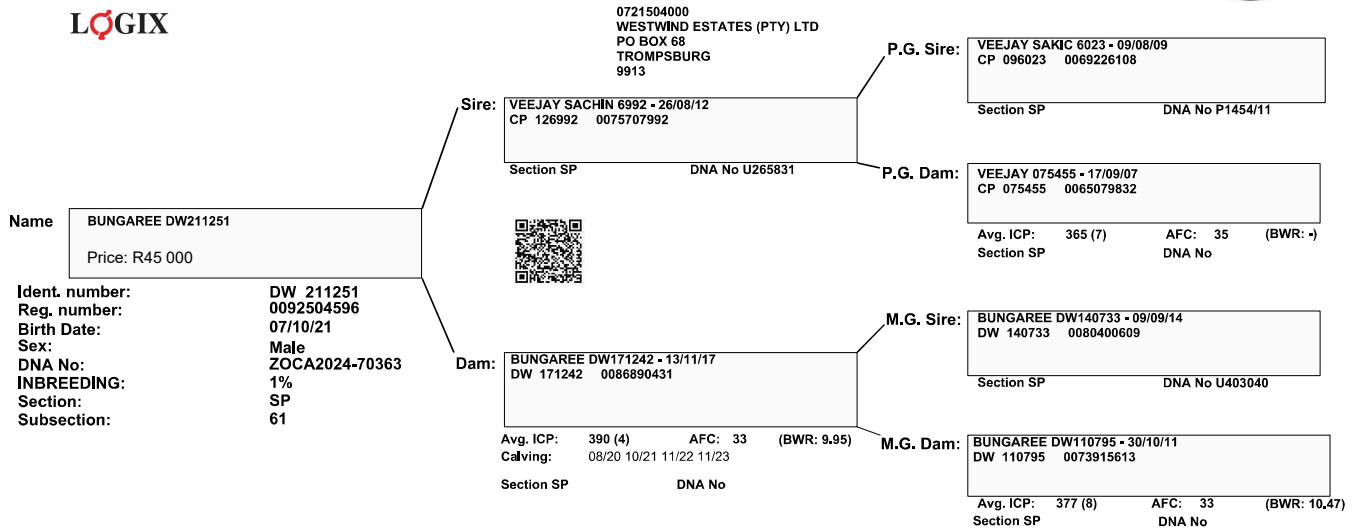
Three generation pedigree

compiled by the S.A. Stud Book and Animal Improvement Association

ANGUS S.A.



LOGIX



08/2024

Selection Value	CALVING EASE ★★★★		MILK ★★★★	CALF GRWTH ★★★	MAINTENANCE ★★★★		GROWTH TEST					FERTILITY ★★★★			COW VALUE ★★★★	GROWTH VALUE	PRODUCTION VALUE
	108 ⁶⁴		105 ⁵⁸	93 ⁶⁸	109 ⁴⁸							102 ⁴⁸					
EBV Index	Birth wght	Birth Mat.	Milk	Wean wght	Post wean	Mature wght	ADG	Kleiber	FCR	Length	Height	SC	AFC	ICP			
EBV	107	101	105	93	90	91	90	92	97	95	100	104	90	101 ⁵³	-	-	-
Measurements	0.86 ⁷¹	0.32 ⁵⁶	7.2 ⁵⁸	23.3 ⁶⁸	44.1 ⁷⁰	25.9 ⁴⁸	165.9 ²⁴	83.3 ²⁴	63.7 ¹¹	41.5 ²⁶	-4 ²⁷	21.9 ²⁶	-3.7 ⁵³	-6 ³⁶			

09/09/24 11:57:44 AM SBTGB

Report version 1.0, generated by Logix

Page 21



SA STAMBOEK STUD BOOK

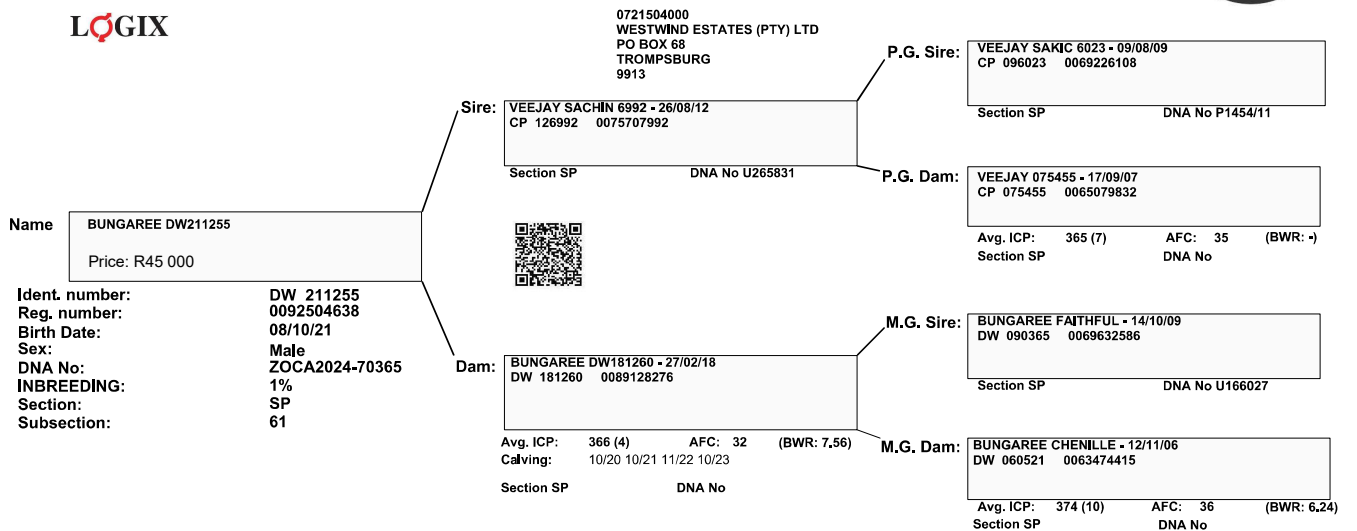
Three generation pedigree

compiled by the S.A. Stud Book and Animal Improvement Association

ANGUS S.A.



LOGIX



08/2024

Selection Value	CALVING EASE ★★★★		MILK ★★★★	CALF GRWTH ★★	MAINTENANCE ★★★★		GROWTH TEST					FERTILITY ★★★★			COW VALUE ★★★	GROWTH VALUE ★★★	PRODUCTION VALUE
	130 ⁶⁵		101 ⁵⁸	77 ⁶⁷	118 ⁵⁰							91 ⁴⁸					
EBV Index	Birth wght	Birth Mat.	Milk	Wean wght	Post wean	Mature wght	ADG	Kleiber	FCR	Length	Height	SC	AFC	ICP			
EBV	133	121	101	77	80	82	86	86	86	89	82	97	95	83	88 ⁵³	85 ²⁵	86 ⁴⁷
Measurements	-1.58 ⁷¹	-4.9 ⁵⁷	6 ⁵⁸	15.1 ⁶⁷	32 ⁶⁸	16.2 ⁵⁰	141.9 ³²	74.7 ³²	50.9 ¹⁵	32.9 ³⁴	-1.4 ³⁶	20.5 ³⁵	3.3 ⁵¹	0.8 ³⁶			

09/09/24 11:57:44 AM SBTGB

Report version 1.0, generated by Logix

Page 22



STAMBOEK
STUD BOOK

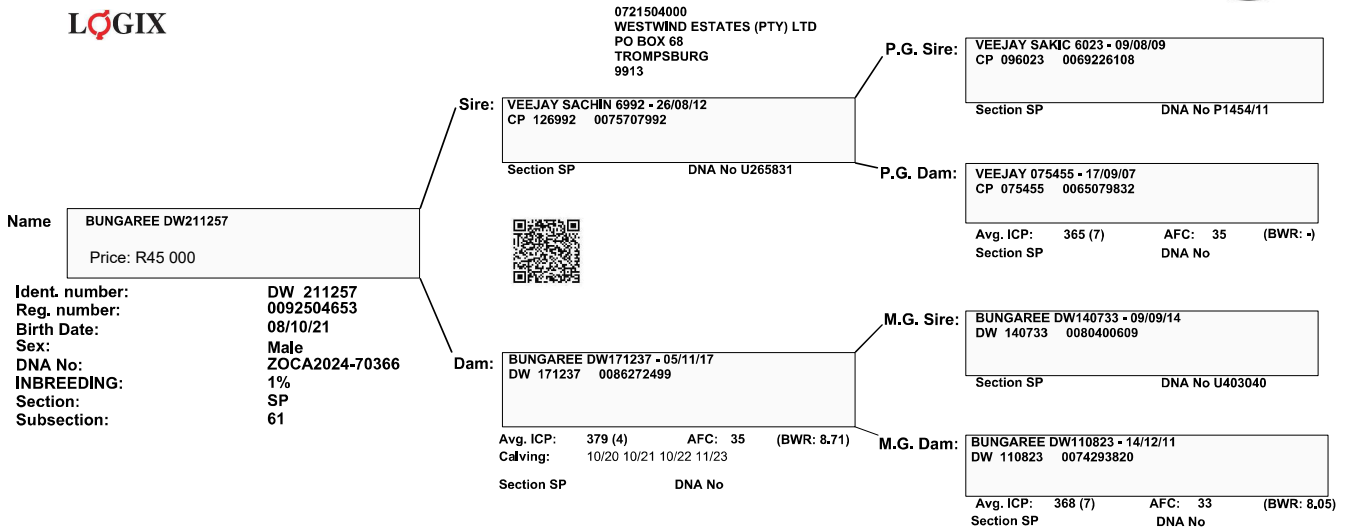
Three generation pedigree

compiled by the S.A. Stud Book and Animal Improvement Association

ANGUS S.A.



LOGIX



08/2024

Selection Value	CALVING EASE ★★★★		MILK ★★★★	CALF GRWTH ★★★	MAINTENANCE ★★★★		GROWTH TEST					FERTILITY ★★★★			COW VALUE	GROWTH VALUE	PRODUCTION VALUE
	128 ⁶⁵		107 ⁵⁸	85 ⁶⁸	111 ⁴⁸							106 ⁴⁸					
EBV Index	Birth wght	Birth Mat.	Milk	Wean wght	Post wean	Mature wght	ADG	Kleiber	FCR	Length	Height	SC	AFC	ICP			
EBV	-1.1 ⁷¹	-1 ⁵⁷	7.8 ⁶⁸	18.9 ⁶⁸	41.2 ⁷⁰	23 ⁴⁸	152.6 ²⁴	79.4 ²⁴	60.5 ¹¹	36.1 ²⁶	-8 ²⁷	20.3 ²⁶	-1.9 ⁵³	-2.1 ³⁶	101 ⁵³	-	-
Measurements	Z9(9.4%)			197 ⁽¹⁰⁸⁾	198 ⁽¹⁰⁰⁾	307 ⁽⁹⁹⁾	-	-	-								

09/09/24 11:57:45 AM SBTGB

Report version 1.0, generated by Logix

Page 23



STAMBOEK
STUD BOOK

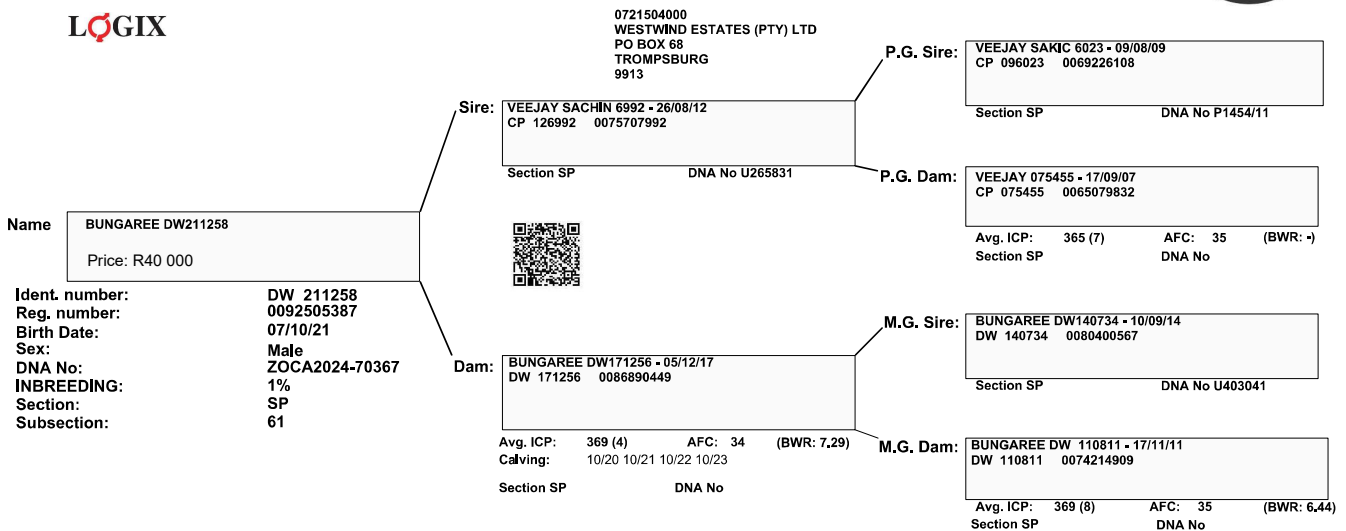
Three generation pedigree

compiled by the S.A. Stud Book and Animal Improvement Association

ANGUS S.A.



LOGIX



08/2024

Selection Value	CALVING EASE ★★★★		MILK ★★★★	CALF GRWTH ★★★	MAINTENANCE ★★★★		GROWTH TEST					FERTILITY ★★★★			COW VALUE	GROWTH VALUE	PRODUCTION VALUE
	116 ⁶⁵		109 ⁵⁸	80 ⁶⁸	118 ⁴⁹							106 ⁴⁸					
EBV Index	Birth wght	Birth Mat.	Milk	Wean wght	Post wean	Mature wght	ADG	Kleiber	FCR	Length	Height	SC	AFC	ICP			
EBV	147	125	109	80	89	82	92	91	93	97	95	100	99	102	96 ⁵³	90 ²⁰	93 ⁴⁶
Measurements	-2.9 ⁷¹	-68 ⁵⁷	8.3 ⁶⁸	16.7 ⁶⁸	40.4 ⁶⁹	15.9 ⁴⁹	170.2 ²⁵	87.5 ²⁵	-65 ¹²	41 ²⁸	-4 ²⁸	22 ²⁸	0.1 ⁵³	-3.1 ³⁶			
	Z2(9.2%)			212 ⁽¹²⁰⁾	218 ⁽¹¹⁶⁾	318 ⁽¹⁰⁵⁾	-	-	-								

09/09/24 11:57:45 AM SBTGB

Report version 1.0, generated by Logix

Page 24



SA STAMBOEK STUD BOOK

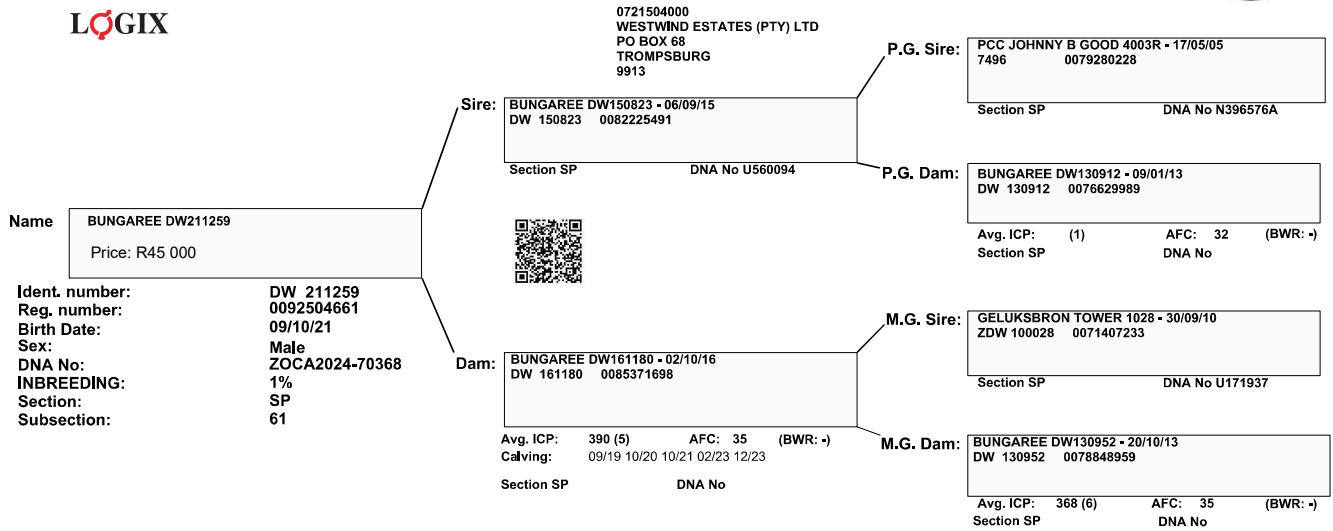
Three generation pedigree

compiled by the S.A. Stud Book and Animal Improvement Association

ANGUS S.A.



LOGIX



08/2024

Selection Value	CALVING EASE ★★★		MILK ★★★	CALF GRWTH ★★	MAINTENANCE ★★★		GROWTH TEST					FERTILITY ★★★			COW VALUE	GROWTH VALUE	PRODUCTION VALUE
	90 ⁶²		106 ⁵²	88 ⁶⁷	119 ⁴⁰							106 ⁴¹					
EBV Index	Birth wght	Birth Mat.	Milk	Wean wght	Post wean	Mature wght	ADG	Kleiber	FCR	Length	Height	SC	AFC	ICP			
EBV	1.12 ⁷¹	1.26 ⁵⁰	7.5 ⁵²	20.7 ⁶⁷	38.9 ⁶⁸	14.9 ⁴⁰	171.2 ²³	83.7 ²³	67.8 ⁸	44 ²⁵	0.2 ²⁶	27.8 ²⁵	4.9 ⁴⁸	-2.6 ²⁸			
Measurements	Z9(9.3%)			218 ⁽¹⁰⁹⁾	226 ⁽¹¹⁶⁾	329 ⁽¹⁰⁷⁾	-	-	-								

09/09/24 11:57:46 AM SBTGB

Report version 1.0, generated by Logix

Page 25



SA STAMBOEK STUD BOOK

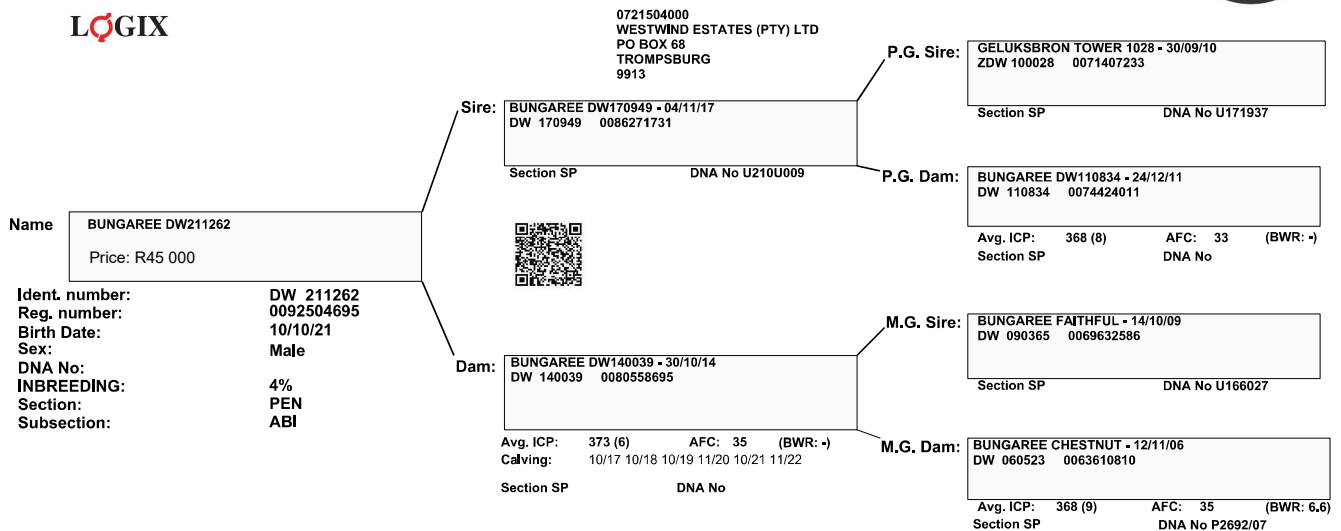
Three generation pedigree

compiled by the S.A. Stud Book and Animal Improvement Association

ANGUS S.A.



LOGIX



08/2024

Selection Value	CALVING EASE ★★★		MILK ★★★	CALF GRWTH ★★	MAINTENANCE ★★		GROWTH TEST					FERTILITY ★★★			COW VALUE	GROWTH VALUE	PRODUCTION VALUE
	118 ⁶²		100 ⁵³	101 ⁶⁸	86 ³⁷							106 ⁴¹					
EBV Index	Birth wght	Birth Mat.	Milk	Wean wght	Post wean	Mature wght	ADG	Kleiber	FCR	Length	Height	SC	AFC	ICP			
EBV	1.10	1.13	100	101	101	115	99	93	98	110	109	121	96	105	106 ⁴⁹		
Measurements	0.6 ⁷¹	-18 ⁵⁰	5.9 ⁵³	27.5 ⁶⁸	52.1 ⁶⁷	55.9 ³⁷	202.9 ²⁷	92.5 ²⁷	75.9 ⁹	54.9 ²⁹	0.7 ³⁰	32.1 ³⁰	2.7 ⁴⁵	-3.5 ²⁸			
	31(6.9%)			229 ⁽¹²⁹⁾	233 ⁽¹¹⁹⁾	352 ⁽¹¹⁴⁾	-	-	-								

09/09/24 11:57:46 AM SBTGB

Report version 1.0, generated by Logix

Page 26



SA STAMBOEK STUD BOOK

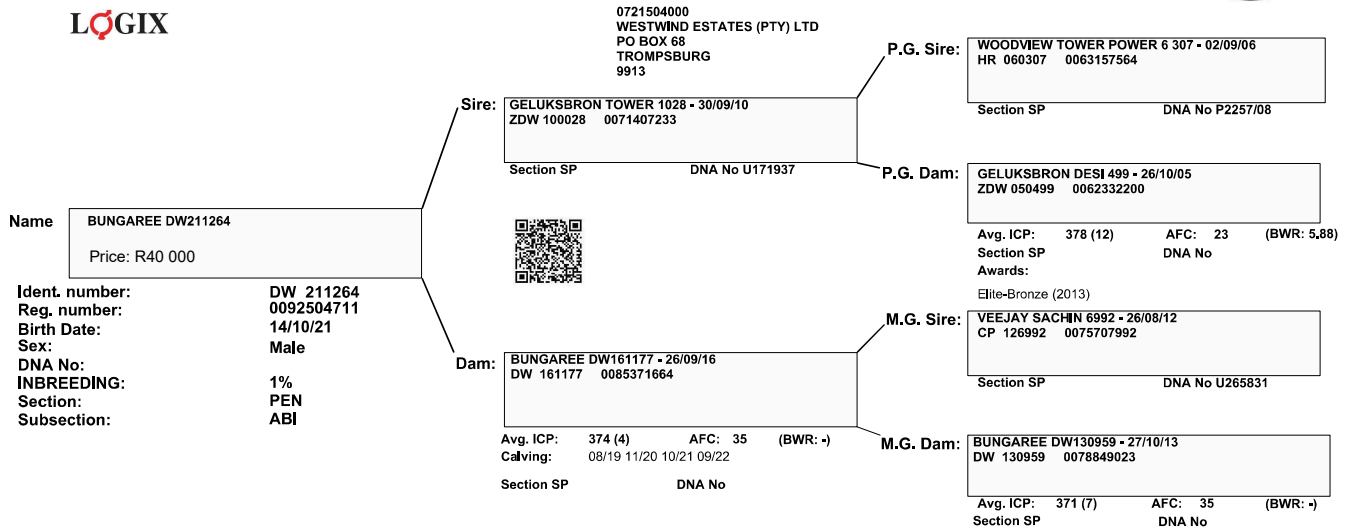
Three generation pedigree

compiled by the S.A. Stud Book and Animal Improvement Association

ANGUS S.A.



LOGIX



08/2024

Selection Value	CALVING EASE ★★★★			MILK ★★★	CALF GRWTH ★★★	MAINTENANCE ★★★		GROWTH TEST					FERTILITY ★★★			COW VALUE ★★★	GROWTH VALUE ★★★	PRODUCTION VALUE -
	124 ⁶⁵			96 ⁵⁹	88 ⁶⁸	108 ⁴⁸							102 ⁵⁰					
EBV Index	Birth wght	Birth Mat.	Milk	Wean wght	Post wean	Mature wght	ADG	Kleiber	FCR	Length	Height	SC	AFC	ICP	96 ⁵³	89 ²⁷	94 ⁴⁸	
EBV	0.26 ⁷¹	-0.36 ⁵⁸	4.5 ⁵⁹	20.4 ⁶⁸	36.9 ⁷⁰	27.3 ⁴⁸	153.7 ³⁷	76.6 ³⁷	54.9 ¹³	39.6 ⁴⁰	-2 ⁴²	28.4 ⁴¹	-5.5 ⁵⁴	-9 ³⁷				
Measurements	33(6.5%)			221 ⁽¹⁰⁹⁾	219 ⁽¹¹⁰⁾	326 ⁽¹⁰⁴⁾	-	-	-									

09/09/24 11:57:47 AM SBTGB

Report version 1.0, generated by Logix

Page 27



SA STAMBOEK STUD BOOK

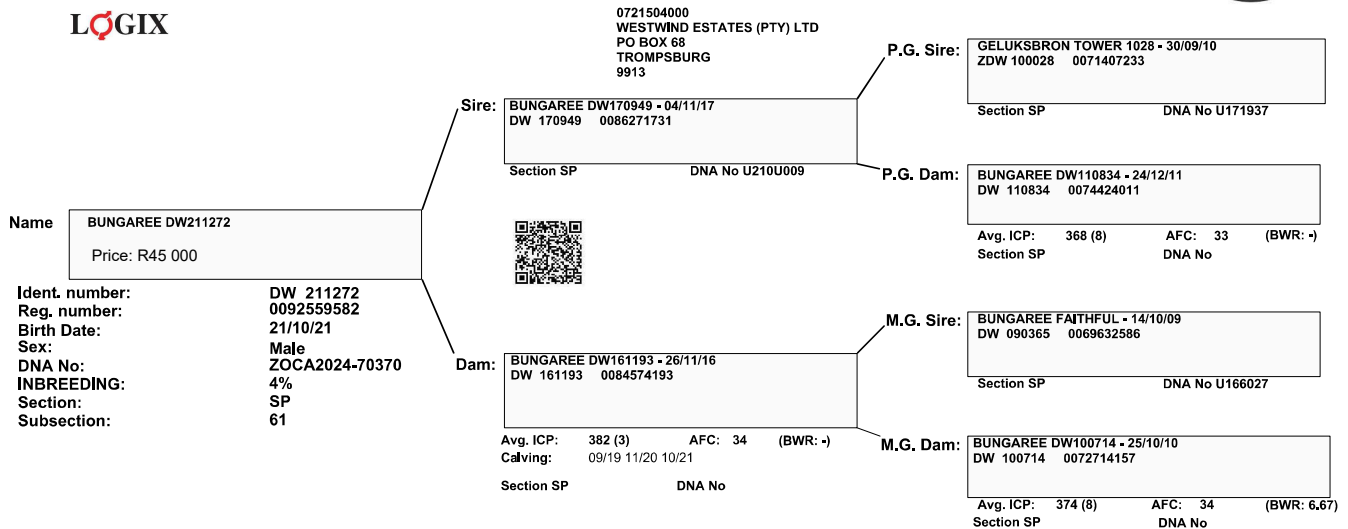
Three generation pedigree

compiled by the S.A. Stud Book and Animal Improvement Association

ANGUS S.A.



LOGIX



08/2024

Selection Value	CALVING EASE ★★★★			MILK ★★★	CALF GRWTH ★★★	MAINTENANCE ★★★		GROWTH TEST					FERTILITY ★★★			COW VALUE ★★★	GROWTH VALUE ★★★	PRODUCTION VALUE -
	102 ⁶⁰			87 ⁵⁰	97 ⁶⁷	103 ³⁹							103 ⁴⁰					
EBV Index	Birth wght	Birth Mat.	Milk	Wean wght	Post wean	Mature wght	ADG	Kleiber	FCR	Length	Height	SC	AFC	ICP	95 ⁴⁸	88 ²⁰	92 ⁴²	
EBV	96	106	87	97	93	97	87	86	89	93	94	107	104	90	95 ⁴⁸	88 ²⁰	92 ⁴²	
Measurements	1.93 ⁷⁰	0.13 ⁴⁷	2 ⁵⁰	25.6 ⁶⁷	44 ⁶⁸	34.3 ³⁹	149.1 ²⁸	73.9 ²⁸	56.6 ¹⁰	37.4 ³⁰	-5 ³¹	25.1 ³⁰	-4.2 ⁴⁴	-6 ²⁷				
	37(9.1%)			191 ⁽⁹⁰⁾	195 ⁽⁹³⁾	288 ⁽⁸⁹⁾	-	-	-									

09/09/24 11:57:47 AM SBTGB

Report version 1.0, generated by Logix

Page 28



SA STAMBOEK STUD BOOK

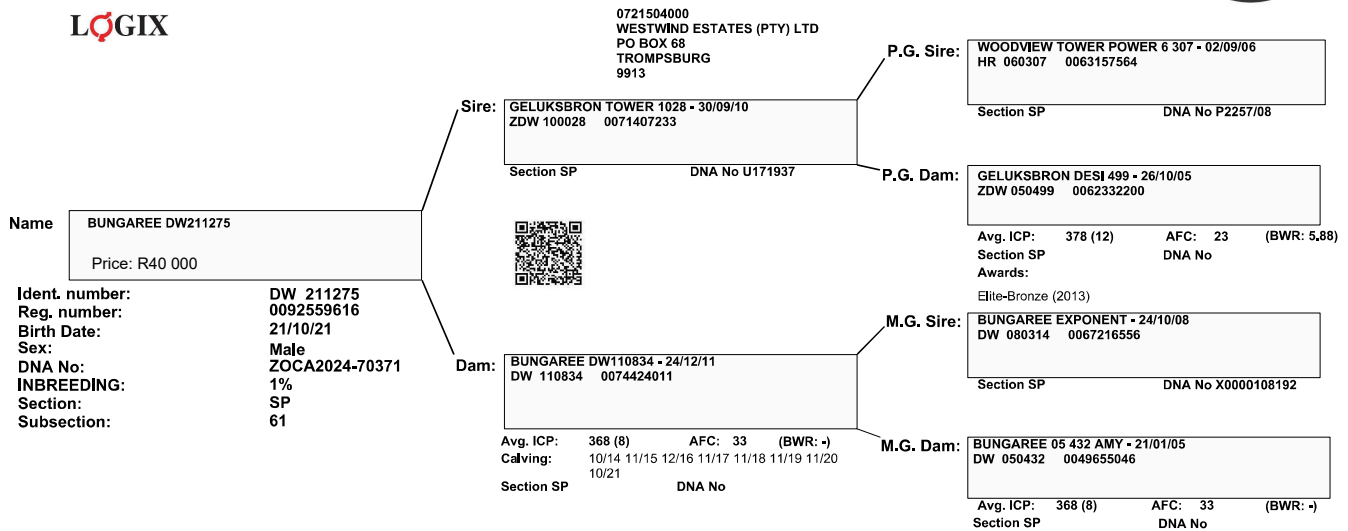
Three generation pedigree

compiled by the S.A. Stud Book and Animal Improvement Association

ANGUS S.A.



LOGIX



08/2024

Selection Value	CALVING EASE ★★★		MILK ★★★	CALF GRWTH ★★★	MAINTENANCE ★★★	GROWTH TEST					FERTILITY ★★★			COW VALUE ★★★	GROWTH VALUE ★★★	PRODUCTION VALUE -	
	86 ⁶⁷		81 ⁶⁰	115 ⁶⁹	91 ⁴⁸	ADG	Kleiber	FCR	Length	Height	SC	AFC	ICP				
EBV Index	Birth wght	Birth Mat.	Milk	Wean wght	Post wean	Mature wght	ADG	Kleiber	FCR	Length	Height	SC	AFC	ICP	101 ⁵⁴	94 ²⁷	99 ⁴⁹
EBV	76	107	81	115	105	110	95	91	95	104	112	123	103	95			
Measurements	3.8 ⁷²	0.07 ⁶⁰	0.5 ⁶⁰	34.5 ⁶⁹	55.6 ⁶⁸	50.6 ⁴⁸	182.5 ³⁷	86.2 ³⁷	69.3 ¹⁴	48.6 ⁴⁰	0.9 ⁴²	33 ⁴¹	-2.8 ⁵⁴	-1.6 ³⁸			
	44(9.4%)			269 ⁽¹³²⁾	260 ⁽¹²⁸⁾	351 ⁽¹⁰⁹⁾	-	-	-								

09/09/24 11:57:48 AM SBTGB

Report version 1.0, generated by Logix

Page 29



SA STAMBOEK STUD BOOK

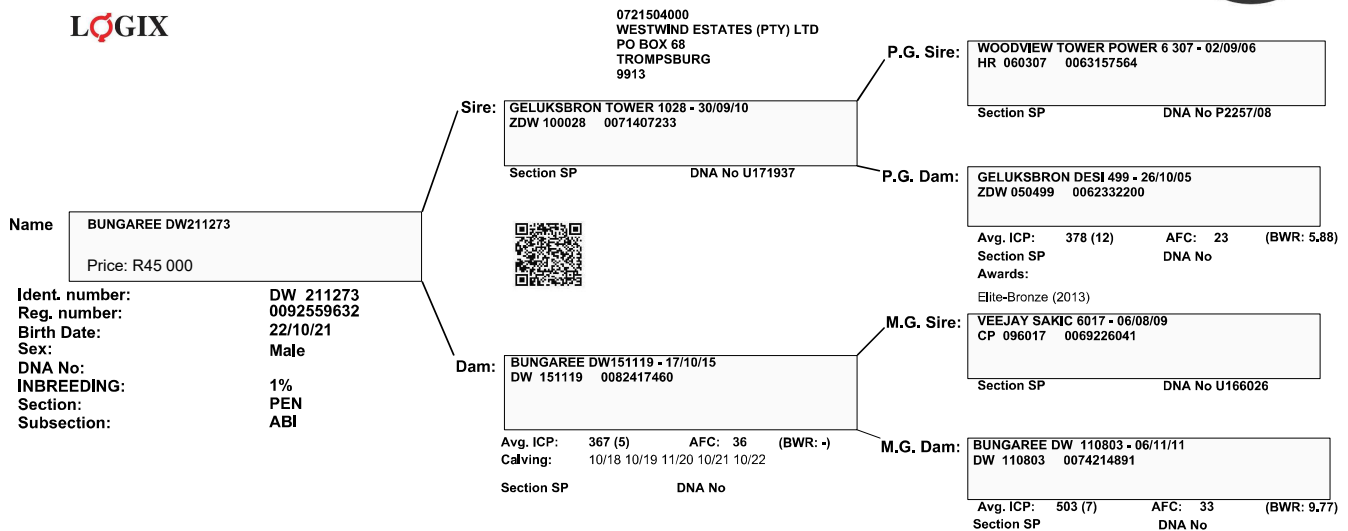
Three generation pedigree

compiled by the S.A. Stud Book and Animal Improvement Association

ANGUS S.A.



LOGIX



08/2024

Selection Value	CALVING EASE ★★★		MILK ★★★	CALF GRWTH ★★★	MAINTENANCE ★★★	GROWTH TEST					FERTILITY ★★★			COW VALUE ★★★	GROWTH VALUE ★★★	PRODUCTION VALUE -	
	111 ⁶⁵		88 ⁵⁹	85 ⁶⁸	126 ⁴⁸	ADG	Kleiber	FCR	Length	Height	SC	AFC	ICP				
EBV Index	Birth wght	Birth Mat.	Milk	Wean wght	Post wean	Mature wght	ADG	Kleiber	FCR	Length	Height	SC	AFC	ICP	93 ⁵³	82 ²⁸	89 ⁴⁸
EBV	106	108	88	85	81	76	80	83	84	81	91	99	112	98			
Measurements	1	0.05 ⁵⁸	2.2 ⁵⁹	18.9 ⁶⁸	32.5 ⁶⁸	9.6 ⁴⁸	115.2 ⁴⁰	66.7 ⁴⁰	46.1 ¹⁴	24.8 ⁴³	-7 ⁴⁵	21.4 ⁴⁴	-9.7 ⁵⁴	-2.2 ³⁷			
	32(9.1%)			178 ⁽⁸⁵⁾	204 ⁽¹⁰²⁾	307 ⁽⁹⁸⁾	-	-	-								

09/09/24 11:57:48 AM SBTGB

Report version 1.0, generated by Logix

Page 30



SA STAMBOEK STUD BOOK

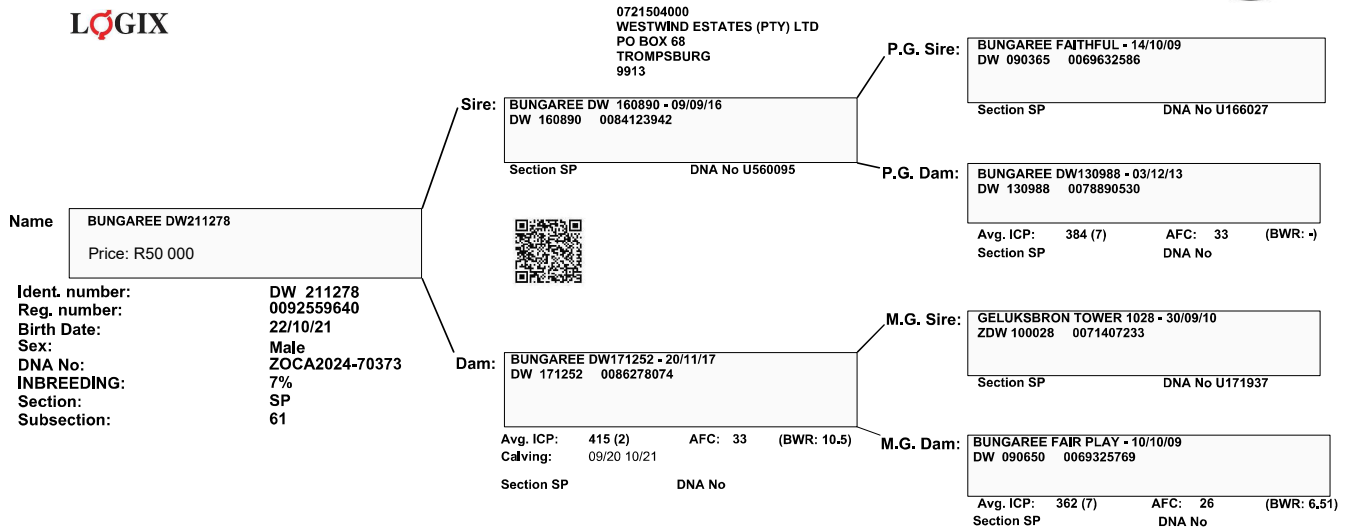
Three generation pedigree

compiled by the S.A. Stud Book and Animal Improvement Association

ANGUS S.A.



LOGIX



08/2024

Selection Value	CALVING EASE ★★★★		MILK ★★★★	CALF GRWTH ★★★	MAINTENANCE ★★★★		GROWTH TEST					FERTILITY ★★★★			COW VALUE ★★★★	GROWTH VALUE ★★★	PRODUCTION VALUE -
	114 ⁶²		128 ⁵²	87 ⁶⁷	114 ⁴³							105 ⁴³					
EBV Index	Birth wght	Birth Mat.	Milk	Wean wght	Post wean	Mature wght	ADG	Kleiber	FCR	Length	Height	SC	AFC	ICP			
EBV	127	91	128	87	93	85	84	87	91	94	107	121	75	108 ⁵⁰	86 ²⁰	103 ⁴⁴	
Measurements	-98 ⁷⁰	0.76 ⁵¹	13.9 ⁵²	20.2 ⁶⁷	43.9 ⁶⁸	18.2 ⁴³	138.8 ²⁹	68.3 ²⁹	54.2 ⁹	35 ³¹	-5 ³²	25.1 ³²	-17 ⁵⁰	2.3 ²⁹			
	30(9.3%)			205 ⁽¹⁰²⁾	222 ⁽¹¹³⁾	337 ⁽¹⁰⁹⁾	-	-	-								

09/09/24 11:57:49 AM SBTGB

Report version 1.0, generated by Logix

Page 31



SA STAMBOEK STUD BOOK

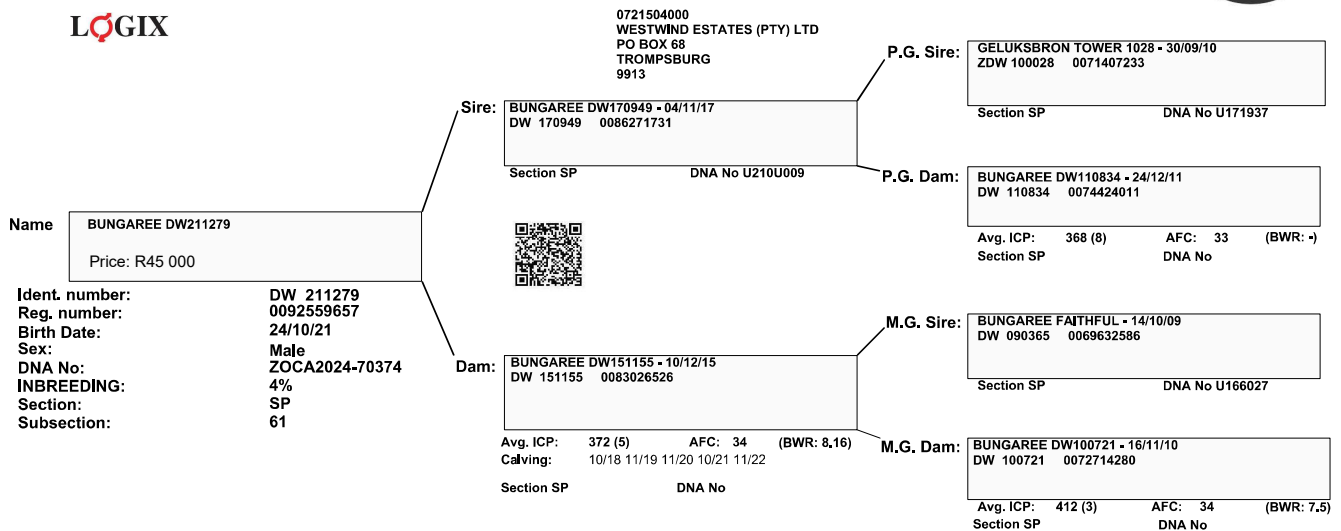
Three generation pedigree

compiled by the S.A. Stud Book and Animal Improvement Association

ANGUS S.A.



LOGIX



08/2024

Selection Value	CALVING EASE ★★★★		MILK ★★★★	CALF GRWTH ★★★	MAINTENANCE ★★★		GROWTH TEST					FERTILITY ★★★★			COW VALUE ★★★	GROWTH VALUE ★★★	PRODUCTION VALUE -
	126 ⁶¹		91 ⁴⁹	89 ⁶⁵	85 ³⁶							105 ⁴⁰					
EBV Index	Birth wght	Birth Mat.	Milk	Wean wght	Post wean	Mature wght	ADG	Kleiber	FCR	Length	Height	SC	AFC	ICP			
EBV	115	125	91	89	85	116	95	90	95	104	104	118	103	96	91 ⁴⁷	94 ²⁰	
Measurements	0.12 ⁷¹	-68 ⁴⁸	3.2 ⁴⁹	21.2 ⁶⁵	36.8 ⁶⁶	57.8 ³⁶	182.6 ²⁸	84.8 ²⁸	70.4 ⁹	48.1 ³⁰	0.3 ³¹	30.4 ³⁰	-3 ⁴⁴	-1.8 ²⁸			
	30(8%)			215 ⁽¹¹⁶⁾	203 ⁽¹⁰²⁾	297 ⁽⁹⁵⁾	-	-	-								

09/09/24 11:57:49 AM SBTGB

Report version 1.0, generated by Logix

Page 32



SA STAMBOEK STUD BOOK

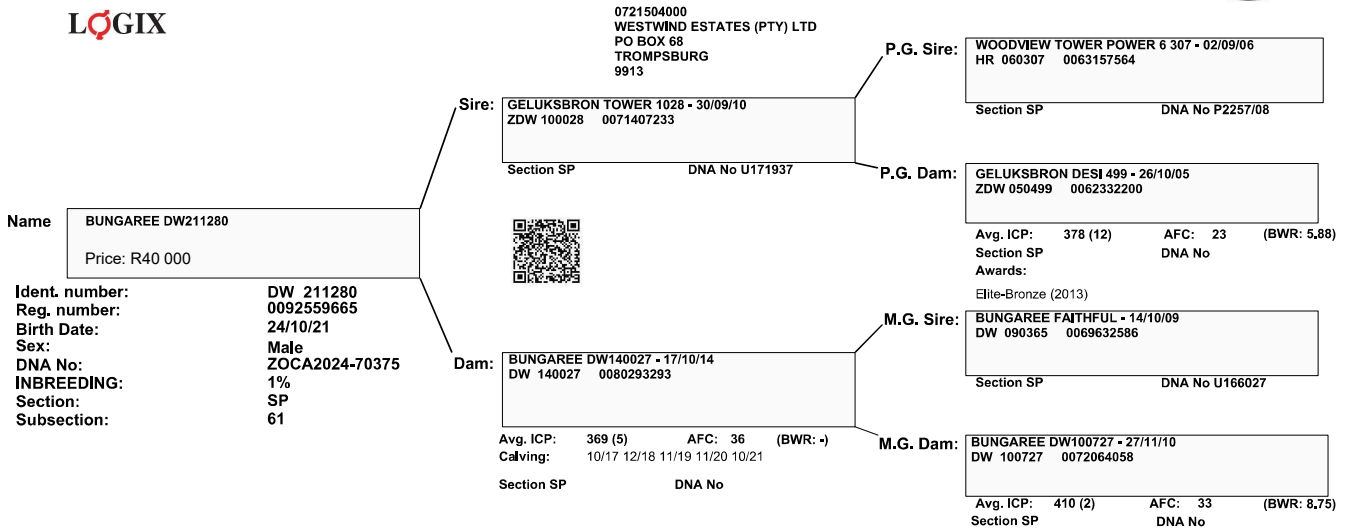
Three generation pedigree

compiled by the S.A. Stud Book and Animal Improvement Association

ANGUS S.A.



LOGIX



08/2024

Selection Value	CALVING EASE ★★★★		MILK ★★★	CALF GRWTH ★	MAINTENANCE ★★★★		GROWTH TEST					FERTILITY ★★★			COW VALUE ★★	GROWTH VALUE ★★	PRODUCTION VALUE -
	122 ⁶⁵		107 ⁶⁰	68 ⁶⁸	113 ⁴⁸							102 ⁵⁰					
EBV Index	Birth wght	Birth Mat.	Milk	Wean wght	Post wean	Mature wght	ADG	Kleiber	FCR	Length	Height	SC	AFC	ICP			
EBV	-1.23 ⁷¹	0.16 ⁵⁸	7.8 ⁶⁰	10.5 ⁶⁸	22.5 ⁶⁸	20.6 ⁴⁸	123.1 ⁴⁰	63.5 ⁴⁰	44.4 ¹³	31.1 ⁴³	-5 ⁴⁵	24.4 ⁴⁴	10.2 ⁵⁵	0.2 ³⁷			
Measurements	28(8.1%)			168 ⁽⁸⁸⁾	168 ⁽⁸³⁾	286 ⁽⁹²⁾	-	-	-								

09/09/24 11:57:50 AM SBTGB

Report version 1.0, generated by Logix

Page 33



SA STAMBOEK STUD BOOK

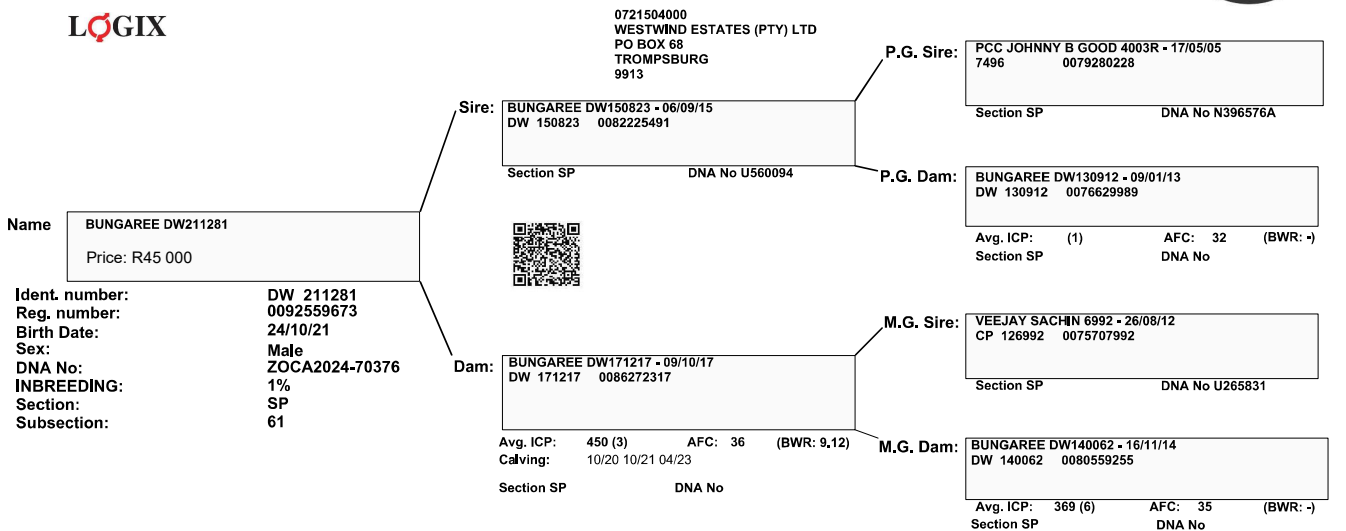
Three generation pedigree

compiled by the S.A. Stud Book and Animal Improvement Association

ANGUS S.A.



LOGIX



08/2024

Selection Value	CALVING EASE ★★★★		MILK ★★★	CALF GRWTH ★	MAINTENANCE ★★★★		GROWTH TEST					FERTILITY ★★★			COW VALUE ★★	GROWTH VALUE -	PRODUCTION VALUE -
	117 ⁶⁰		106 ⁵¹	75 ⁶⁷	118 ⁴⁰							106 ⁴¹					
EBV Index	Birth wght	Birth Mat.	Milk	Wean wght	Post wean	Mature wght	ADG	Kleiber	FCR	Length	Height	SC	AFC	ICP			
EBV	123	95	106	75	78	81	88	88	90	92	94	99	104	98	88 ⁴⁸	-	-
Measurements	-61 ⁷⁰	0.57 ⁴⁸	7.4 ⁵¹	13.8 ⁶⁷	29.9 ⁷⁰	15.6 ⁴⁰	150.9 ¹⁹	79.6 ¹⁹	60.4 ⁸	36.3 ²¹	-5 ²¹	21.2 ²¹	-3.5 ⁴⁸	-2.3 ²⁸			
	28(8.1%)			188 ⁽⁹³⁾	180 ⁽⁹⁰⁾	273 ⁽⁸⁷⁾	-	-	-								

09/09/24 11:57:50 AM SBTGB

Report version 1.0, generated by Logix

Page 34



SA STAMBOEK STUD BOOK

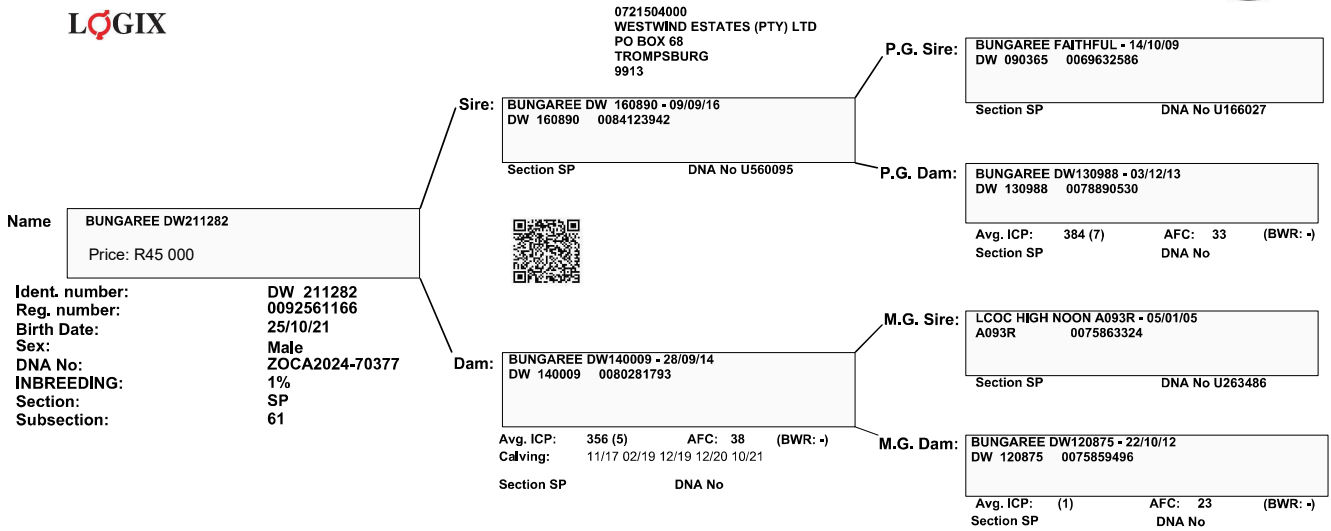
Three generation pedigree

compiled by the S.A. Stud Book and Animal Improvement Association

ANGUS S.A.



LOGIX



08/2024

Selection Value	CALVING EASE ★★★★		MILK ★★★★	CALF GRWTH ★★★	MAINTENANCE ★★★★		GROWTH TEST					FERTILITY ★★★			COW VALUE	GROWTH VALUE	PRODUCTION VALUE
	117 ⁶³		113 ⁵²	85 ⁶⁷	101 ⁴⁰							95 ⁴²					
EBV Index	Birth wght	Birth Mat.	Milk	Wean wght	Post wean	Mature wght	ADG	Kleiber	FCR	Length	Height	SC	AFC	ICP			
EBV	0.08 ⁷¹	0.18 ⁵²	9.5 ⁵²	19.4 ⁶⁷	38.7 ⁶⁶	34.4 ⁴⁰	149 ²⁷	77.2 ²⁷	59.8 ⁹	34.6 ²⁹	-8 ³⁰	20.4 ³⁰	-5.6 ⁴⁸	2 ²⁸	94 ⁴⁹	-	-
Measurements	35(9.4%)			214 ⁽¹⁰⁴⁾	196 ⁽⁹⁵⁾	321 ⁽¹⁰²⁾	-	-	-								

09/09/24 11:57:51 AM SBTGB

Report version 1.0, generated by Logix

Page 35



SA STAMBOEK STUD BOOK

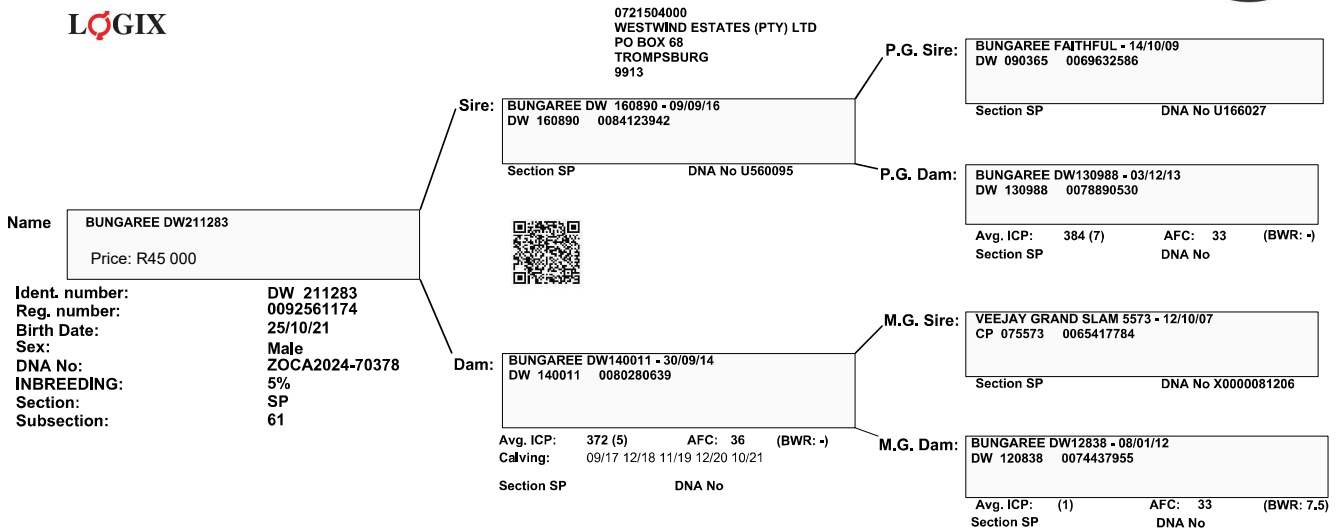
Three generation pedigree

compiled by the S.A. Stud Book and Animal Improvement Association

ANGUS S.A.



LOGIX



08/2024

Selection Value	CALVING EASE ★★★★		MILK ★★★★	CALF GRWTH ★★	MAINTENANCE ★★★★		GROWTH TEST					FERTILITY ★★★			COW VALUE	GROWTH VALUE	PRODUCTION VALUE
	114 ⁶³		120 ⁵⁴	72 ⁶⁷	123 ⁴⁰							108 ⁴⁴					
EBV Index	Birth wght	Birth Mat.	Milk	Wean wght	Post wean	Mature wght	ADG	Kleiber	FCR	Length	Height	SC	AFC	ICP			
EBV	138	104	120	72	79	77	78	80	83	80	81	82	124	76	92 ⁵⁰	78 ²⁰	88 ⁴⁴
Measurements	-2.07 ⁷¹	0.21 ⁵²	11.4 ⁵⁴	12.5 ⁶⁷	30.8 ⁶⁸	10.3 ⁴⁰	106.7 ²⁹	59.2 ²⁹	44.4 ⁸	23.9 ³¹	-1.5 ³²	12.8 ³²	-19.5 ⁵⁰	2.1 ²⁸			
	27(8.3%)			184 ⁽⁹²⁾	182 ⁽⁹²⁾	298 ⁽⁹⁷⁾	-	-	-								

09/09/24 11:57:51 AM SBTGB

Report version 1.0, generated by Logix

Page 36



SA STAMBOEK STUD BOOK

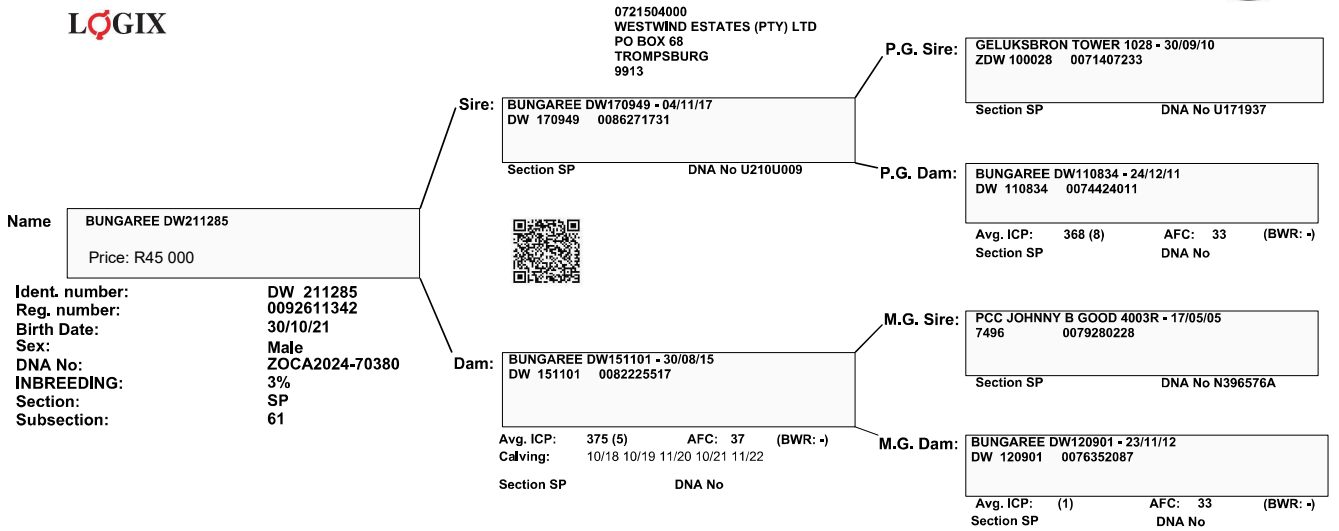
Three generation pedigree

compiled by the S.A. Stud Book and Animal Improvement Association

ANGUS S.A.



LOGIX



08/2024

Selection Value	CALVING EASE ★★★		MILK ★★★	CALF GRWTH ★★★	MAINTENANCE ★★★		GROWTH TEST					FERTILITY ★★★			COW VALUE	GROWTH VALUE	PRODUCTION VALUE	
	119 ⁶⁰		91 ⁵¹	87 ⁶⁷	117 ³⁷							115 ³⁹						★★★
EBV Index	Birth wght	Birth Mat.	Milk	Wean wght	Post wean	Mature wght	ADG	Kleiber	FCR	Length	Height	SC	AFC	ICP				
EBV	115	109	91	87	87	83	145.4 ²²	86	91	91	97	105	112	100	99	48	-	-
Measurements	0.16 ⁷⁰	0.01 ⁴⁷	3.1 ⁵¹	19.9 ⁶⁷	38 ⁶⁸	17.7 ³⁷	-	-	-	35 ²⁴	-2 ²⁵	24.4 ²⁴	-10 ⁴³	-2.6 ²⁶				



SA STAMBOEK STUD BOOK

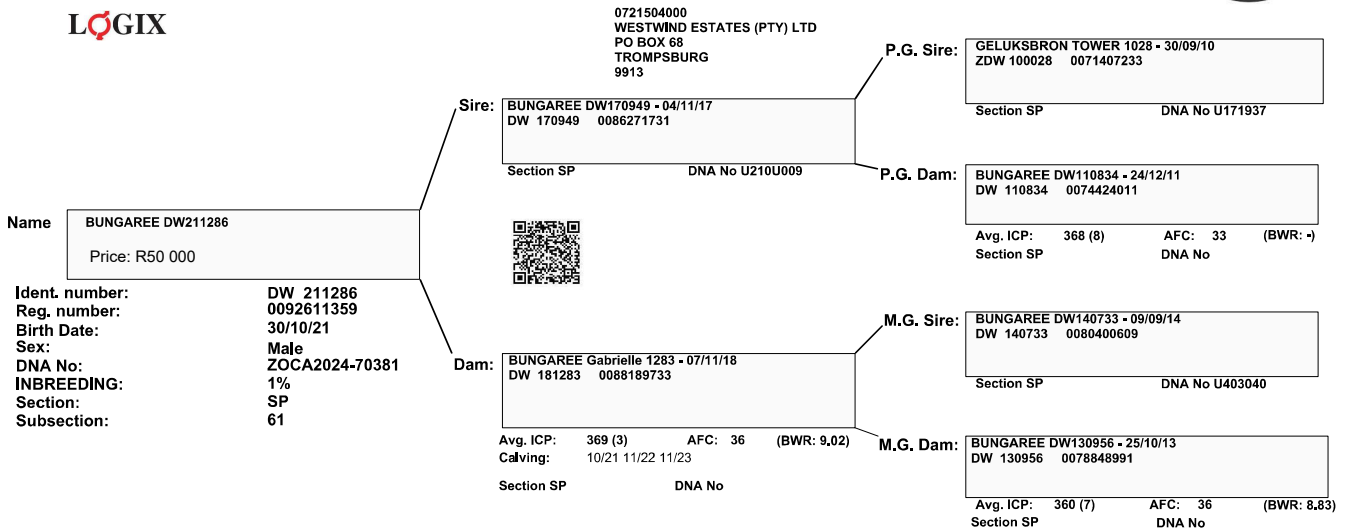
Three generation pedigree

compiled by the S.A. Stud Book and Animal Improvement Association

ANGUS S.A.



LOGIX



08/2024

Selection Value	CALVING EASE ★★★		MILK ★★★	CALF GRWTH ★★★	MAINTENANCE ★★★		GROWTH TEST					FERTILITY ★★★			COW VALUE	GROWTH VALUE	PRODUCTION VALUE	
	104 ⁶⁰		88 ⁵⁰	94 ⁶⁷	98 ³⁸							107 ³⁹						★★★
EBV Index	Birth wght	Birth Mat.	Milk	Wean wght	Post wean	Mature wght	ADG	Kleiber	FCR	Length	Height	SC	AFC	ICP				
EBV	100	104	88	94	91	102	93	90	96	100	105	113	97	104	93	48	-	-
Measurements	1.55 ⁷⁰	0.2 ⁴⁶	2.5 ⁵⁰	24 ⁶⁷	42.2 ⁶⁸	40.8 ³⁸	175.6 ²²	85.1 ²²	72.3 ⁹	44.7 ²⁴	0.4 ²⁴	27.9 ²⁴	1.4 ⁴³	-3.4 ²⁶				



SA STAMBOEK STUD BOOK

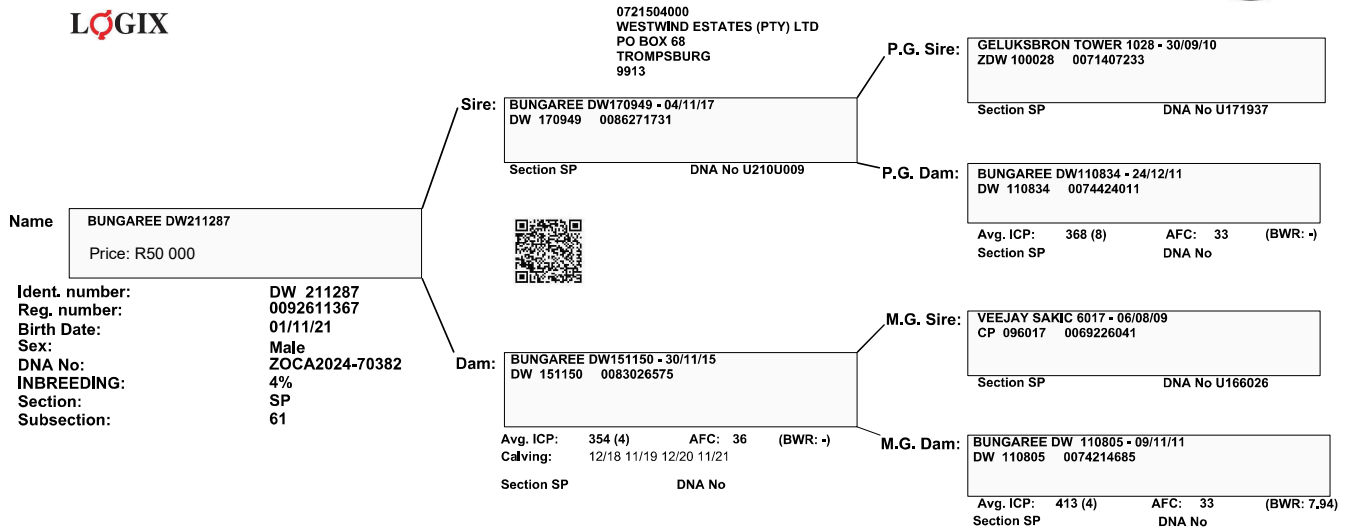
Three generation pedigree

compiled by the S.A. Stud Book and Animal Improvement Association

ANGUS S.A.



LOGIX



08/2024

Selection Value	CALVING EASE ★★★★			MILK ★★★	CALF GRWTH ★★★	MAINTENANCE ★★★		GROWTH TEST					FERTILITY ★★★			COW VALUE ★★★	GROWTH VALUE ★★★	PRODUCTION VALUE -
	116 ⁶⁰			91 ⁴⁹	94 ⁶⁶	94 ³⁹							99 ⁴¹					
EBV Index	Birth wght	Birth Mat.	Milk	Wean wght	Post wean	Mature wght	ADG	Kleiber	FCR	Length	Height	SC	AFC	ICP	93 ⁴⁸	91 ²⁰	91 ⁴²	
EBV	1.06 ⁷⁰	-0.26 ⁴⁷	3.3 ⁴⁹	23.6 ⁶⁶	41.2 ⁶⁶	46.3 ³⁹	171.4 ²⁸	86.9 ²⁸	70.2 ¹¹	39.9 ³⁰	0.2 ³¹	25.1 ³¹	0.6 ⁴⁴	-0.7 ²⁸				
Measurements	36(9%)			210 ⁽¹⁰¹⁾	214 ⁽¹⁰⁵⁾	332 ⁽¹⁰⁵⁾	-	-	-									

09/09/24 11:57:53 AM SBTGB

Report version 1.0, generated by Logix

Page 39



SA STAMBOEK STUD BOOK

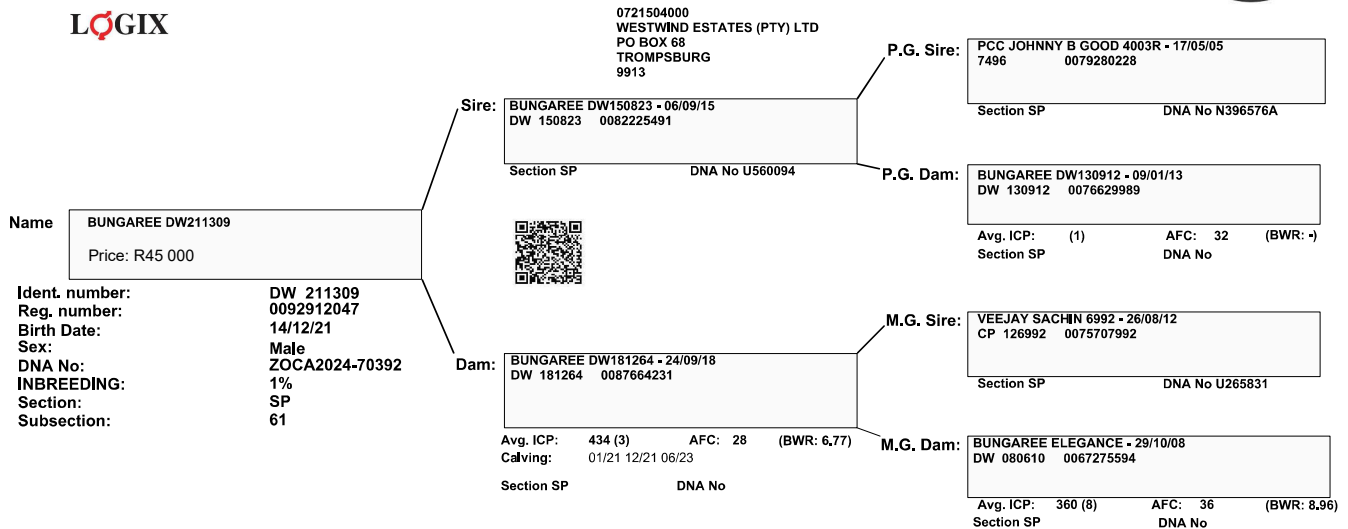
Three generation pedigree

compiled by the S.A. Stud Book and Animal Improvement Association

ANGUS S.A.



LOGIX



08/2024

Selection Value	CALVING EASE ★★★★			MILK ★★★★	CALF GRWTH ★★★	MAINTENANCE ★★★★		GROWTH TEST					FERTILITY ★★★			COW VALUE ★★★	GROWTH VALUE -	PRODUCTION VALUE -
	95 ⁶⁰			101 ⁵⁰	90 ⁵⁸	120 ³⁷						109 ⁴¹						
EBV Index	Birth wght	Birth Mat.	Milk	Wean wght	Post wean	Mature wght	ADG	Kleiber	FCR	Length	Height	SC	AFC	ICP	97 ⁴⁵	-	-	
EBV	1.00	0.90	101	90	80	87	146.6 ¹⁸	77.3 ¹⁸	59.5 ⁹	36.6 ¹⁹	-5 ²⁰	18.4 ²⁰	10.1 ⁴⁸	-3 ²⁴				
Measurements	40(10.4%)			214 ⁽¹⁰⁰⁾	225 ⁽¹⁰³⁾	287 ⁽¹¹³⁾	-	-	-									

09/09/24 11:57:53 AM SBTGB

Report version 1.0, generated by Logix

Page 40